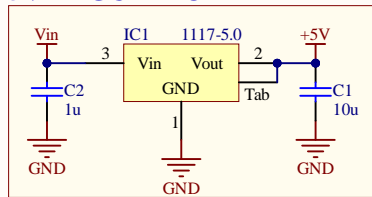
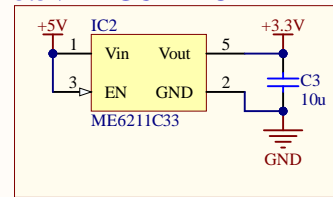


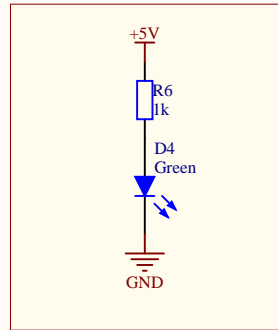
5V REGULATOR



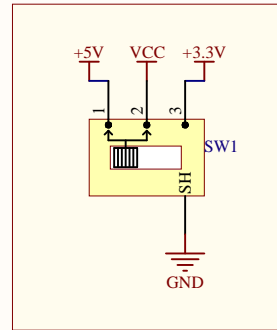
3.3V REGULATOR



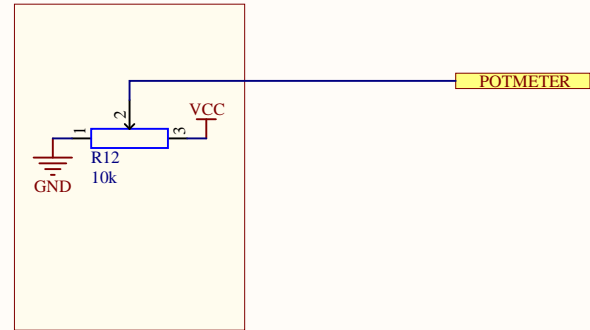
POWER LED



VCC SELECT

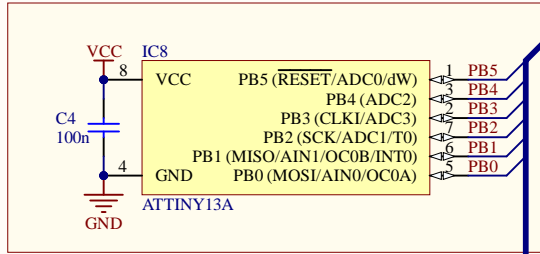


POTMETER

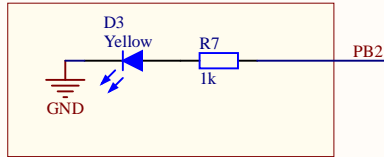


File name: Power.SchDoc		Author: MCUdude	
Project name: MicroCore_development_board.PjPcb		Board name: MicroBoard	
Rev: R3	Last edited: 13.04.2023	Page number: 1	Total pages: 2

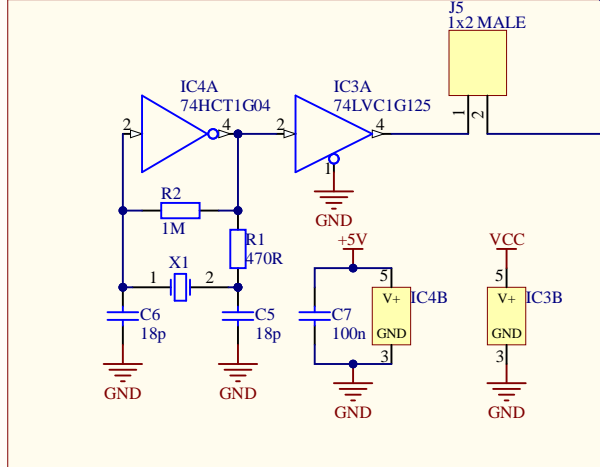
MCU



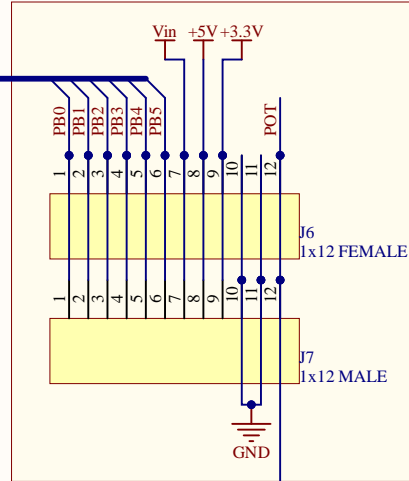
USER LED



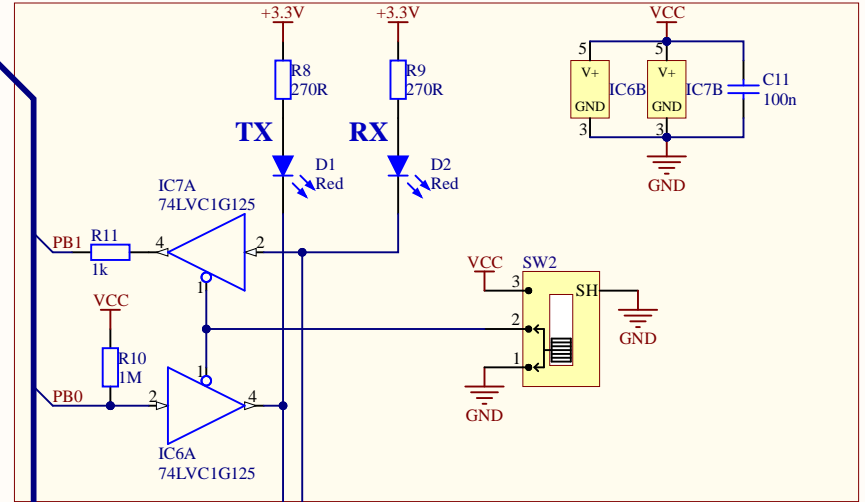
XTAL DRIVER



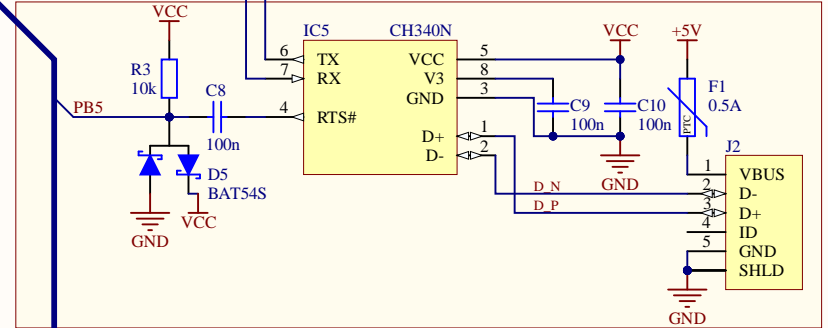
IO BREAKOUT PINS



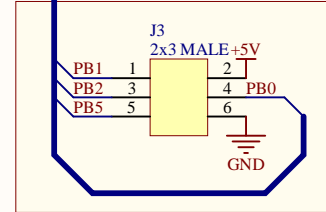
UART LEDS



USB TO SERIAL



ISP HEADER



POTMETER

File name: MCU.SchDoc		Author: MCUdude	
Project name: MicroCore_development_board.PjPcb		Board name: MicroBoard	
Rev: R3	Last edited: 13.04.2023	Page number: 2	Total pages: 2