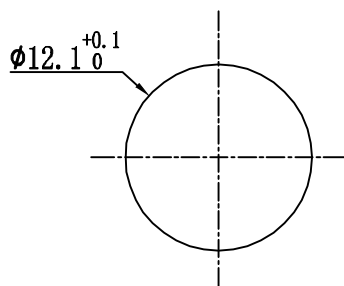
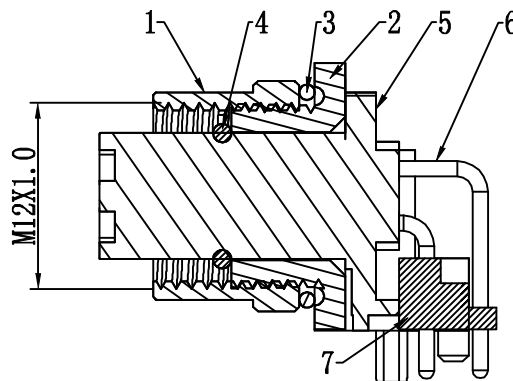


### Specification

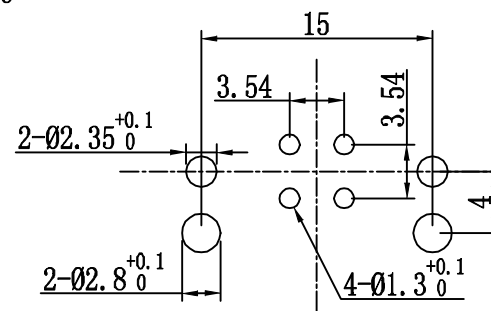
Standard IEC 61076-2-101  
 Ingress Protection: IP68  
 Operating Temperature:  
 -40°C ~ 85°C  
 Rated Voltage: 250V  
 Rated Current: 4A  
 Contact Resistance:  $\leq 3\text{m}\Omega$   
 Contact Finish: Gold Plated



Panel Hole



Cross Section A-A



Recommended PCB Layout

### Material

- 1.Housing: Brass Nickel Plated
- 2.Screw Nut:Brass Nickel Plated
- 3.Sealing Ring: NBR Black
- 4.Sealing Ring: NBR Black
- 5.Insulator: PA Black
- 6.Pin: Brass Gold Plated
- 7.Fixing Clip: PA Black

ASSEMBLY DRAWING		GENERAL TOLERANCES UNLESS SPECIFIED		APPROVED BY:	TITLE:	
SIZE	UNITS	X $\pm$ 0.25	X $^{\circ}$ $\pm$ 3.0 $^{\circ}$	Logan Luo	Circular Connector Female 4Pin	
A4	MM[INCH]	X $\pm$ 0.20	X $^{\circ}$ $\pm$ 2.0 $^{\circ}$	CHECKED BY:	PART NO.:	
SCALE	REV.	.XX $\pm$ 0.10	.XX $^{\circ}$ $\pm$ 1.5 $^{\circ}$	Otto Chen	YKM12-PTB02249A	
1:1	A3	.XXX $\pm$ 0.05	.XXX $^{\circ}$ $\pm$ 1.0 $^{\circ}$	DESIGND BY:	Web.:	SHEET
				David Xiao	www.ingketech.com	1/1

