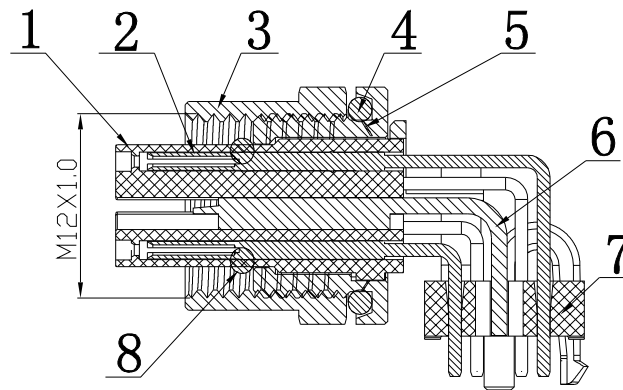
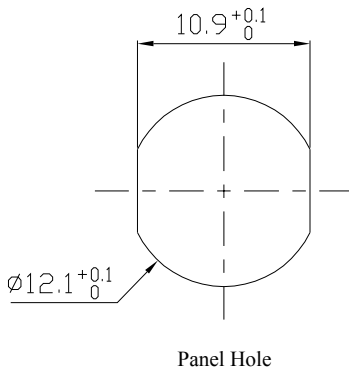
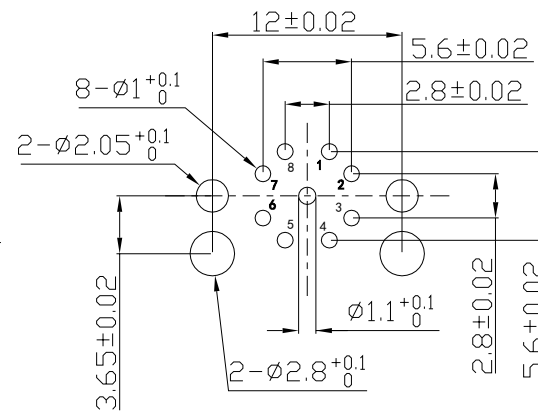


Specification:
 Standard IEC 61076-2-109
 Protection Degree: IP67 in Mated Condition
 Operating Temperature: -40°C ~ 85°C
 Voltage: 50 V AC / 60 V DV
 Current: 0.5A
 Isolation Resistance: > 100 MOhm
 Degree of Pollution: 2
 Overvoltage Category: II
 Speed: 10Gbit/s

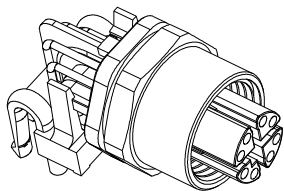


Cross Section A-A



Recommended PCB Layout

Material:
 1. Insulator: PA
 2. Contacts: Brass Gold Plated
 3. Housing: CUZn
 4. Sealing Ring: NBR
 5/6. Zinc Alloy
 7. Fixing Clip: PA
 8. Sealing Ring: NBR



ASSEMBLY DRAWING		GENERAL TOLERANCES UNLESS SPECIFIED		APPROVED BY: Logan Luo	TITLE: Circular Connector Female 8Pin
SIZE A4	UNITS MM[INCH]	X±0.25 .X±0.20	X°±3.0° .X°±2.0°	CHECKED BY: Otto Chen	PART NO.: YKM12-WZ08X02A
SCALE 1:1	REV. A3	.XX±0.10 .XXX±0.05	.XX°±1.5° .XXX°±1.0°	DESIGND BY: David Xiao	Web.: www.ingketech.com

