

CR2032 battery holder (SMD)

Vin - Main(2,7 -> 5,5V)

Ground - Main

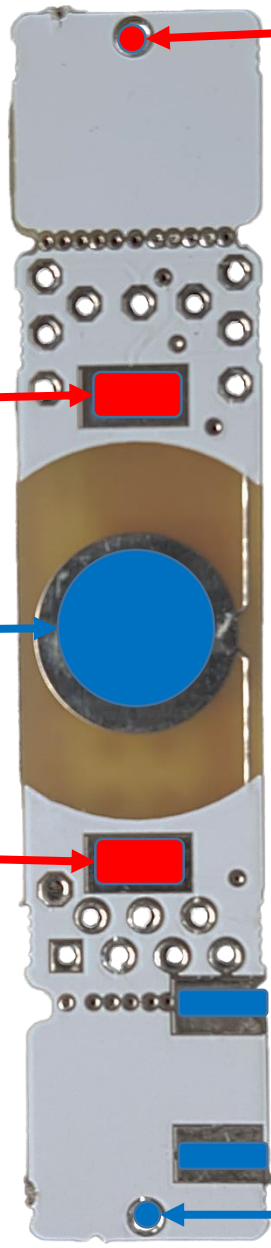
Vin - Main(2,7 -> 5,5V)

Vin - Main(2,7 -> 5,5V)

SMA
Connector

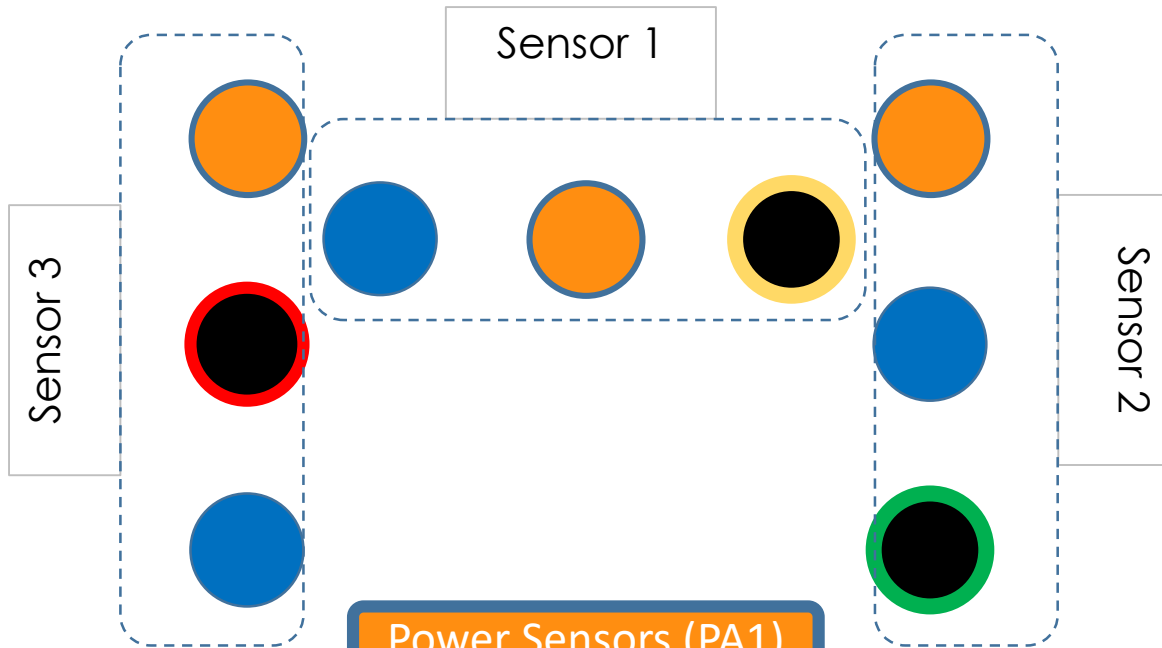
Ground - Main

AA battery holder (14500 Lithium battery, Through hole)



Top View

↑ Vin Side



Power Sensors (PA1)

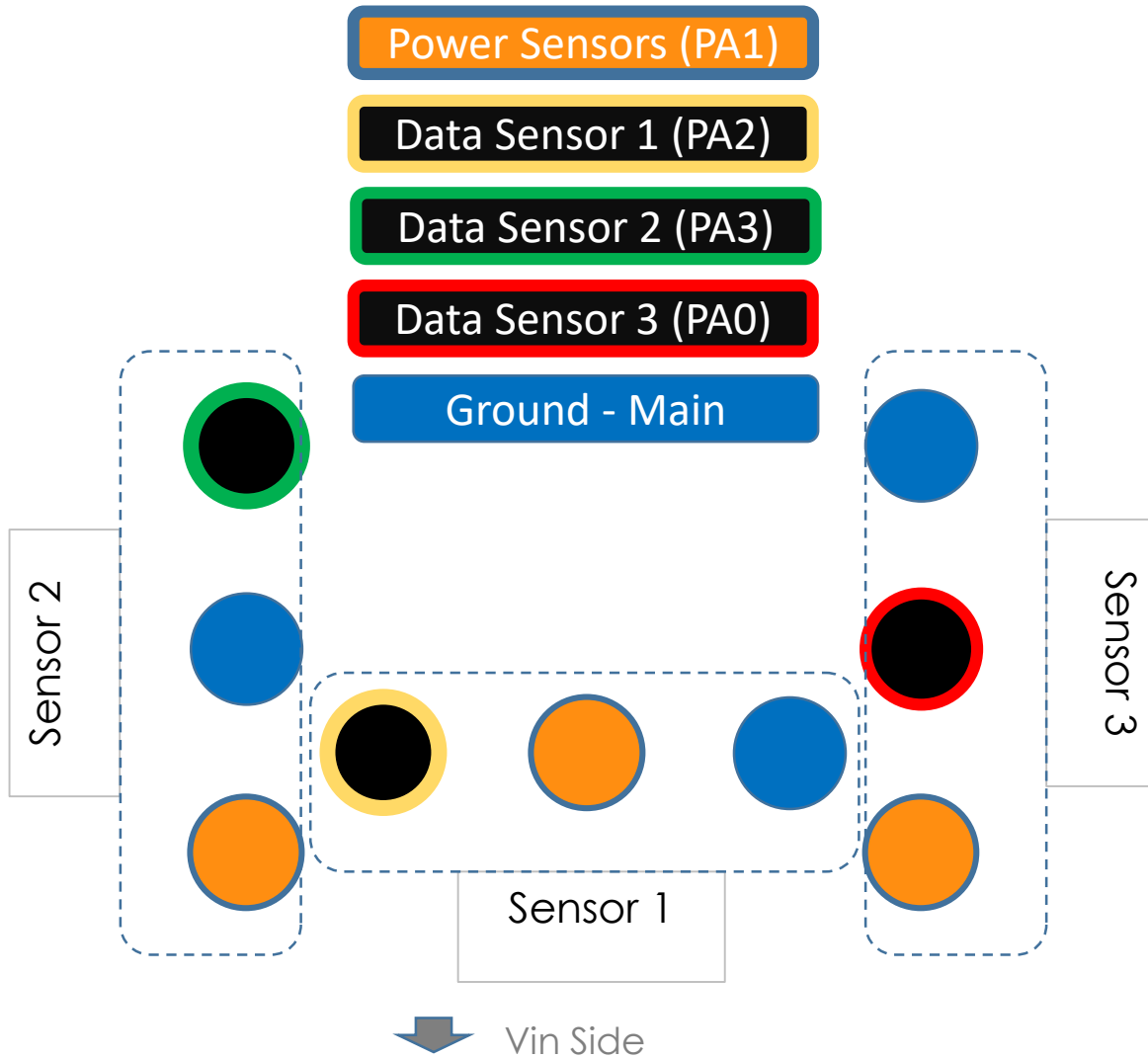
Data Sensor 1 (PA2)

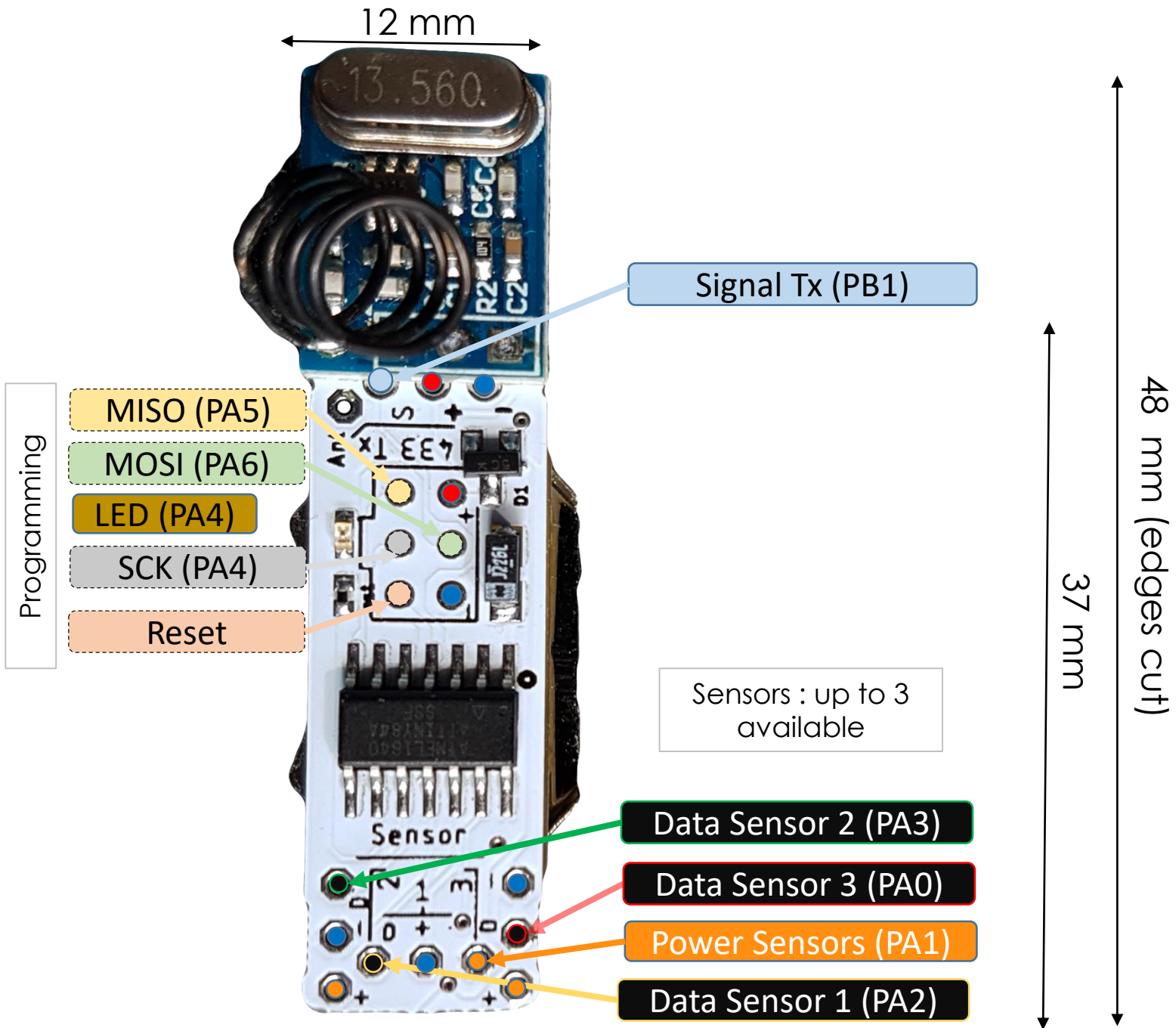
Data Sensor 2 (PA3)

Data Sensor 3 (PA0)

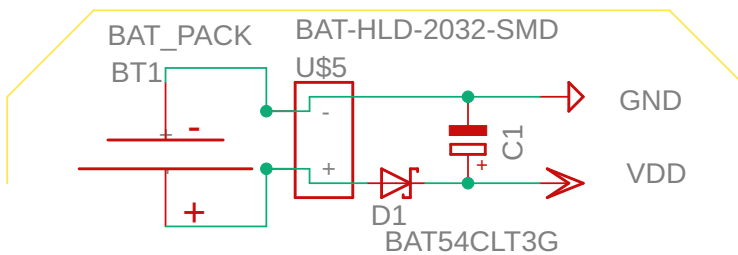
Ground - Main

Top View

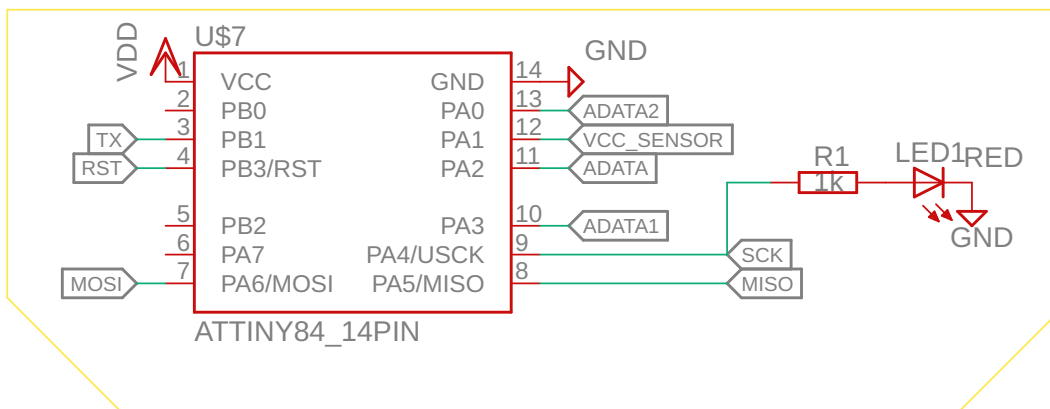




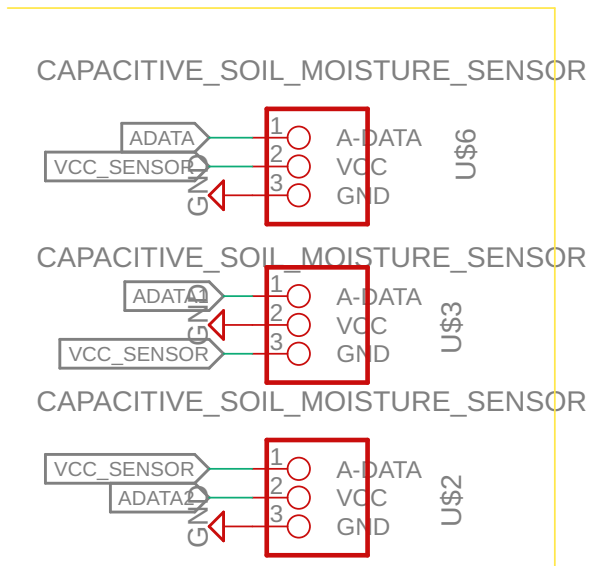
Power source



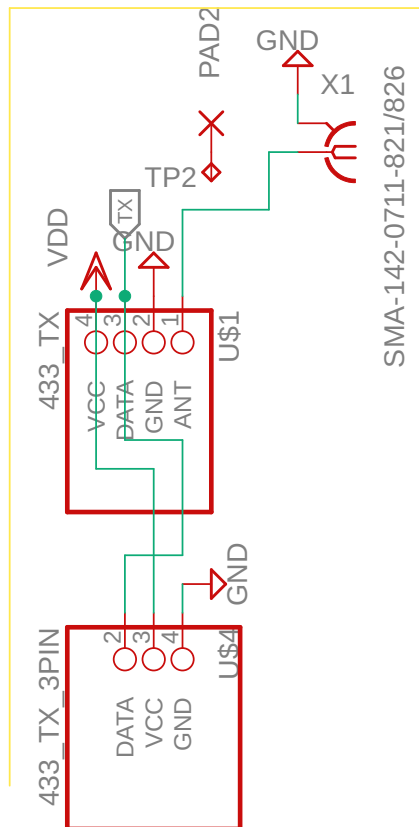
Microcontroller



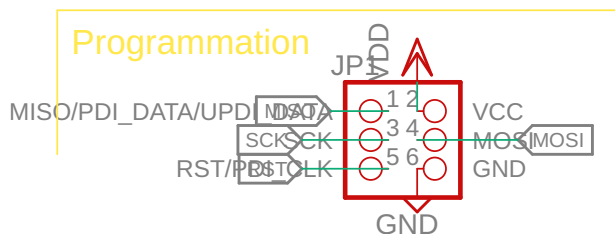
Sensors



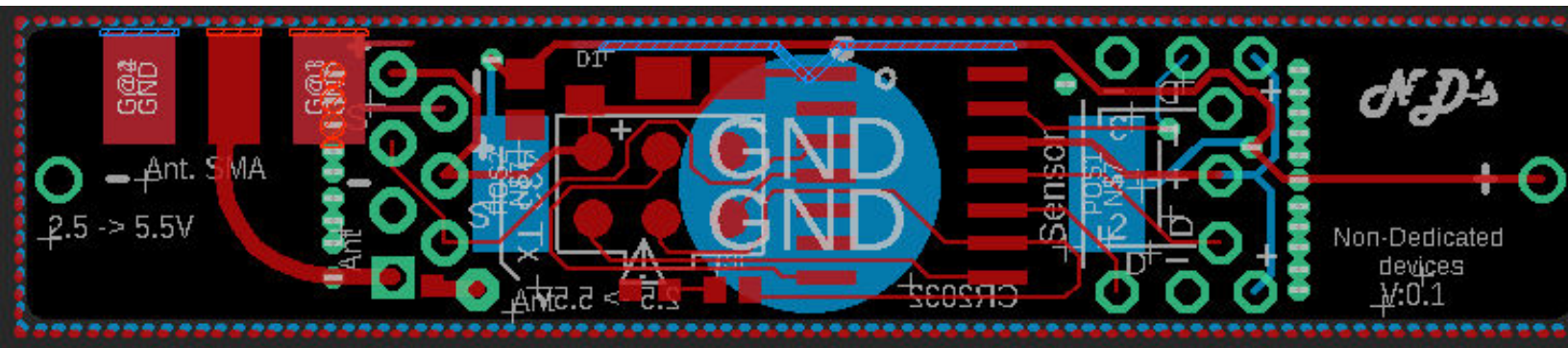
Transmitter 433



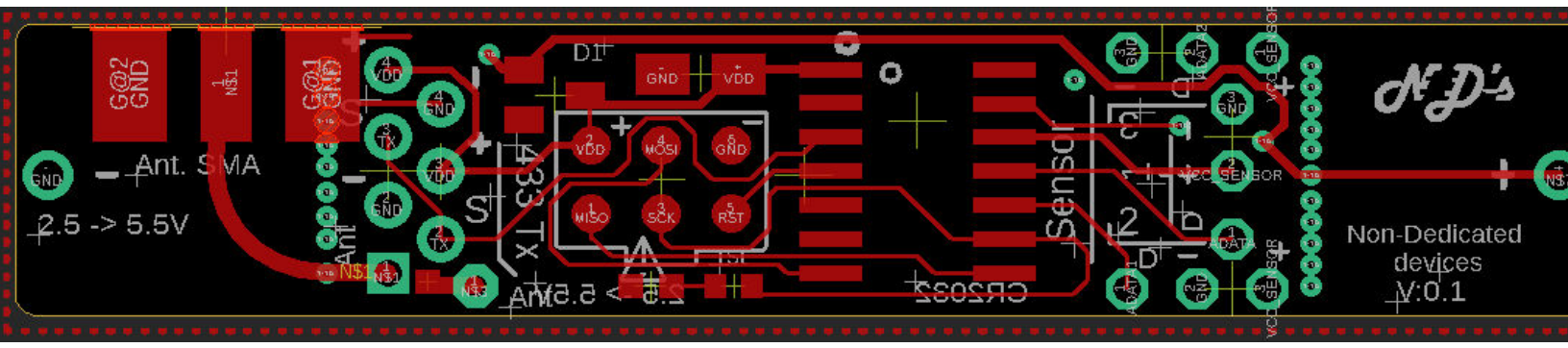
Programming



Top View



Top View - without bottom



Bottom View

