

1

2

3

4

5

6

A

A

B

B

C

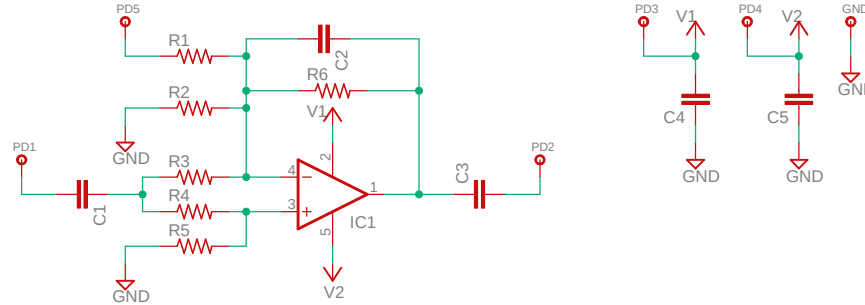
C

D

D

E

E



JARViE TAKE CHARGE OF YOUR LEARNING PFLUGERVILLE, TX	
TITLE: Op_Amp_Proto_SOT23	
Document Number: 0000	REV: A
Date: 6/30/2019 4:05 PM	Sheet: 1/1