

433Mhz sensor board [V2] - User's manual

You will find here a resource base for playing around with your new home automation sensors. They allow to collect data from up to 3 sensors and send it over radio protocols, while consuming very low power (6 μ A). With this documentation you can easily hack these boards to fit your own needs. I will also constantly add new compatible devices, and offering some new possibilities.

Revisions of this document:

Rev1	26/05/2019	Creation for the Version 2 of the product [WIP]

Summary

1. Specifications
2. Schematics of the board
3. Assembling the board from scratch
4. Example code

Useful links

Atmel specifications for the ATTiny84:

<https://www.microchip.com/wwwproducts/en/ATtiny84>

Complete datasheet of the ATTiny84:

<http://ww1.microchip.com/downloads/en/DeviceDoc/doc8006.pdf>

Programming an ATTiny with an arduino:

<https://www.instructables.com/id/Program-an-ATtiny-with-Arduino/>

Oregon protocol for sending weather data via radio:

<http://wmx00.sourceforge.net/Arduino/OregonScientific-RF-Protocols.pdf>

Implementation of the Oregon protocol (example code, in French):

<https://www.tutomotique.fr/fabriquer-ses-propres-sondes-diy/>

Website of the spare parts for the sensor:

<https://ndsensors.duckdns.org>



NDSensors



Find us on NDSensors



Specifications

Board general specifications

Power source: you can choose between CR2032 3V lithium primary cell or 14500 3.7V lithium.

Transmitter: You can choose between short range kit (20m indoor and less than 4 walls) which is the default option, or a long range kit (which includes a 19cm antenna, transmits up to 60m and 4 walls).

Voltage: 2.7V -> 5.5V if you don't want to take an option.

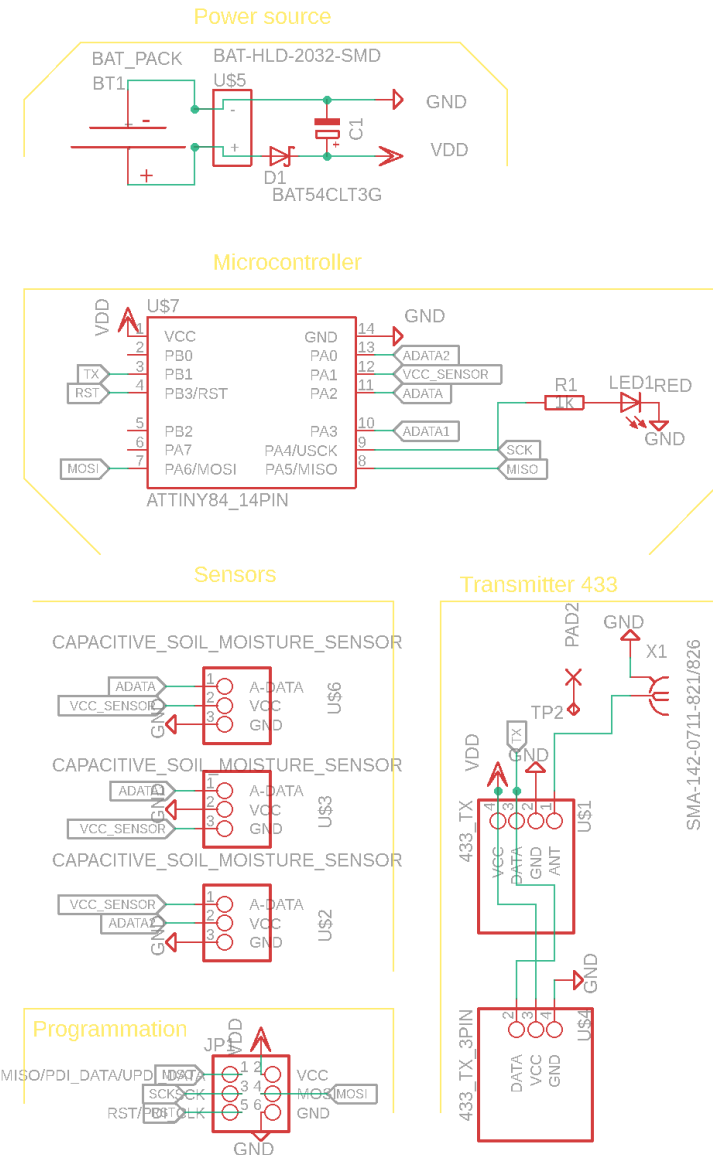
Energy: 5.1µA @8MHz WDT enabled

Sensors: up to 3 sensors. 3-pins digital or analogic sensors. Max input current: 20mA per sensor. The sensors are powered directly from the microcontroller pins.

Microcontroller specifications

Beware compatibility precautions

Schematics of the board



NDSensors

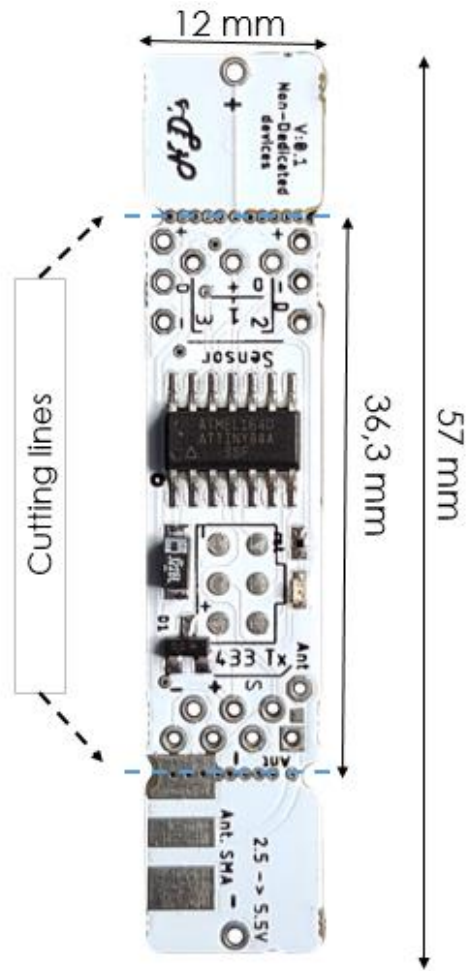


Find us on NDSensors



The following pictures show the complete board pins, and are meant for comprehension. **This is NOT what you will receive** unless you explicitly ask for it. It will only allow you to better understand, and maybe hack the board if you need it. However, when you order on Tindie, you receive a partly assembled product according to your need in terms of transmission range and power.

The board is designed to be optional. If you really have size constraint, you choose to power it with a CR2032 or solder any smaller battery on its pads and then cut the 2 edges of the board. You will need a strong plier for this. It will reduce the board size from 57mm to 36mm.



NDSensors



Find us on NDSensors



The full board pins description

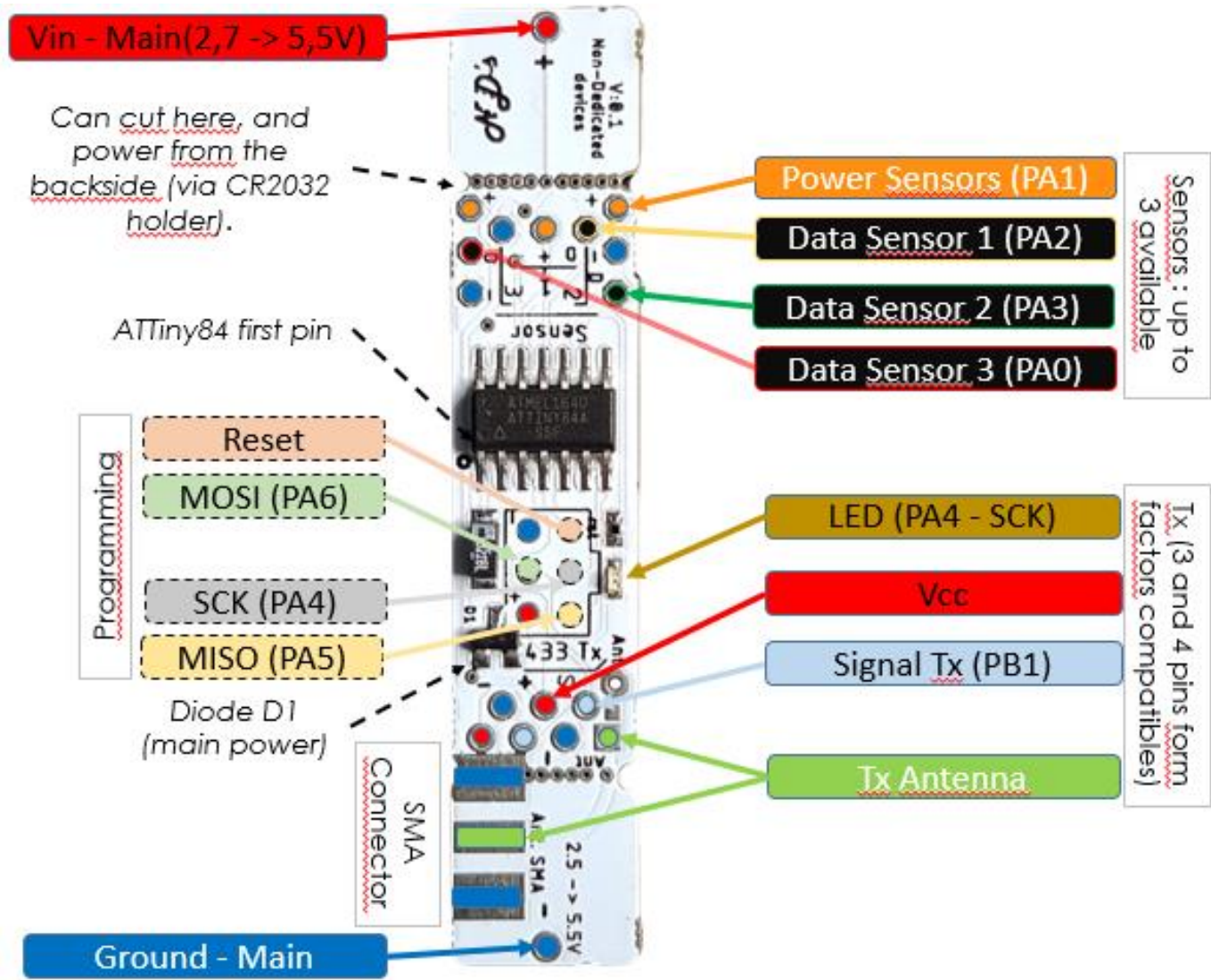
TOP View (component side)

You can add a maximum of 3 sensors to the board, or use the pins for anything else. A digital pin (PA1) is initially designed to power the sensors. It implies a limitation in the maximum current the sensor can draw (40mA). You will find next, a zoom on the sensors pins.

A 6 pins ICSP programming pads are available for programming. It is more comfortable to use a USBASP programmer, and a pogo pin programmer.

You may find this here: <https://www.tindie.com/products/16133/>

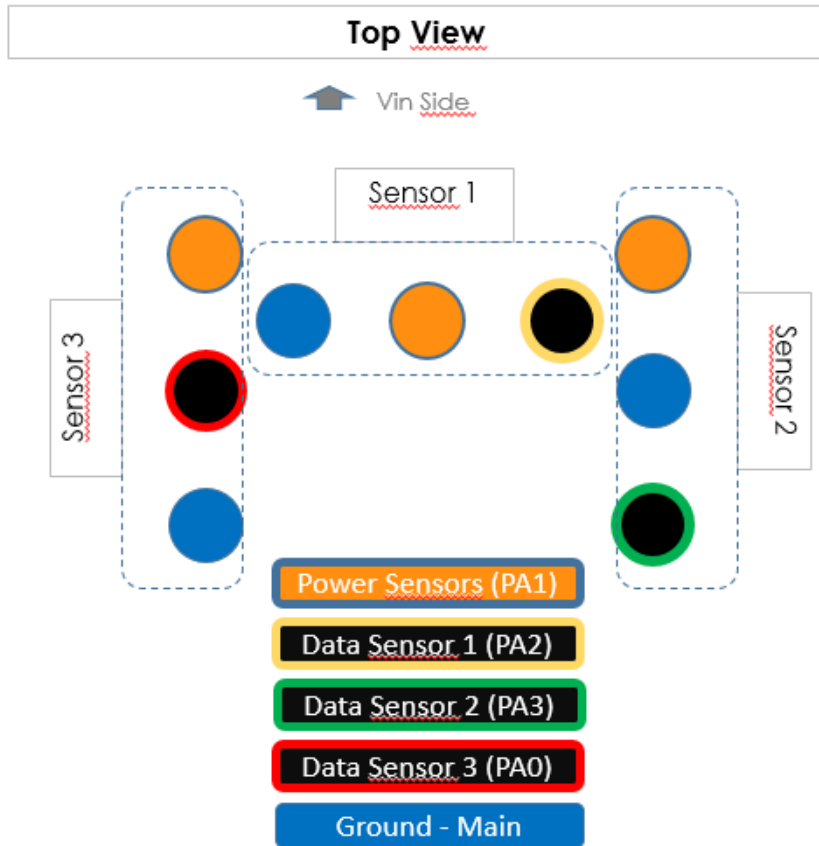
Note: buying with Tindie or my website, you will not have to handle the 433MHz wiring, it is already assembled. But you can order the raw motherboard on my website for more flexibility: https://ndsensors.duckdns.org/wp/prduit/433mhzsensor_motherboard/



Find us on NDSensors

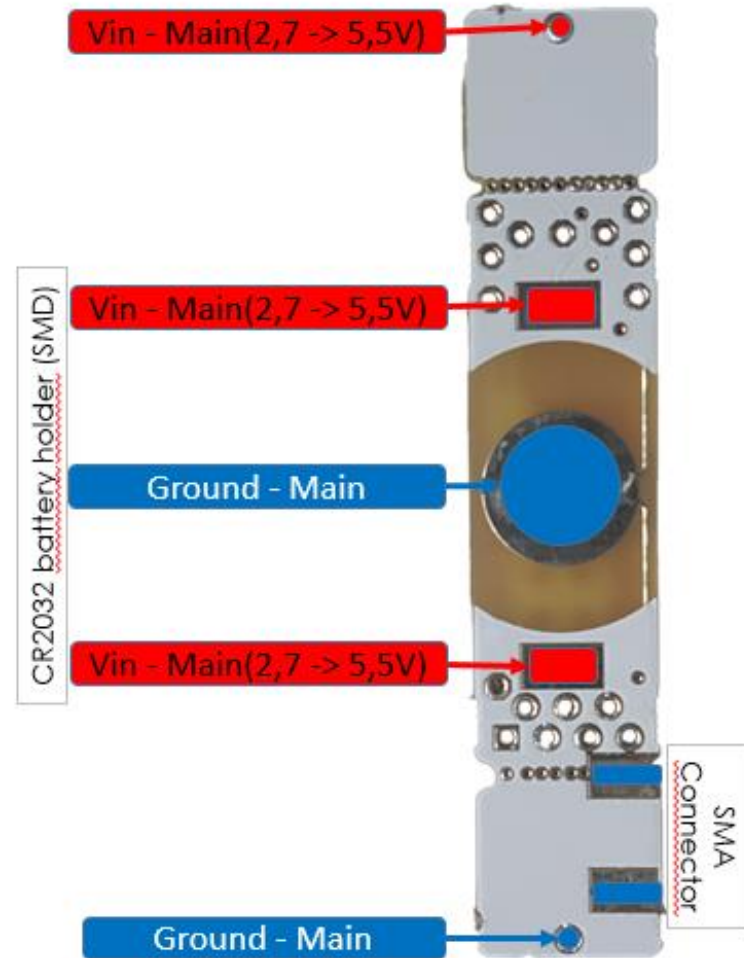


Zoom on the sensor disposition on the TOP View (component side).



Back side, with the CR2032 holder location →

Bottom view (solder side)



NDSensors



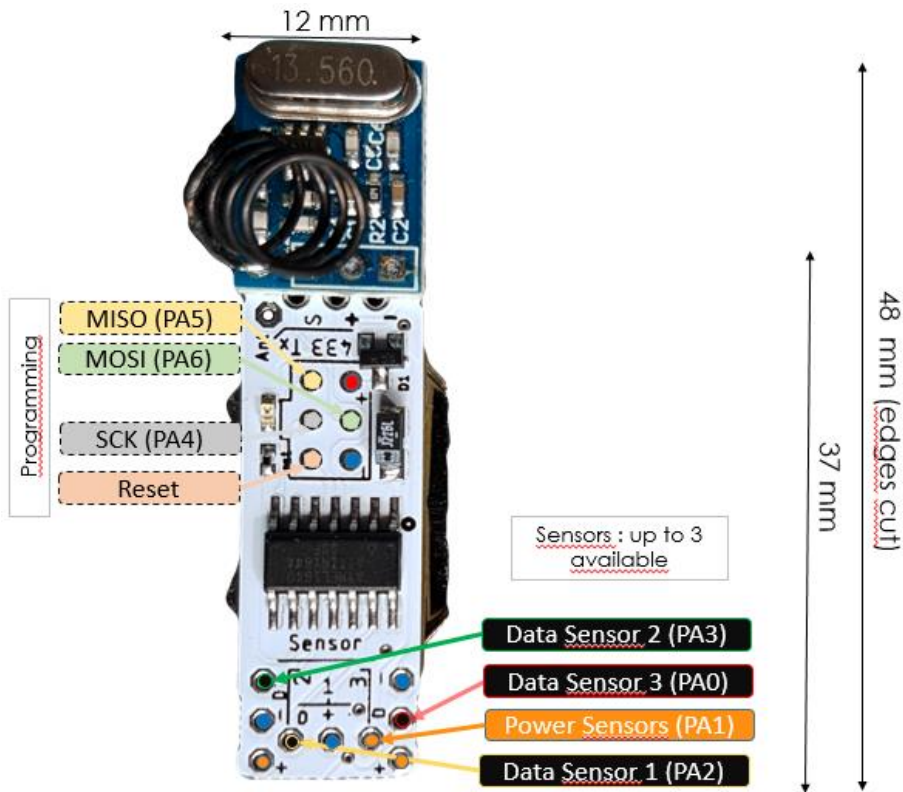
Find us on NDSensors



What you will receive out of the box

The board comes partly preassembled:

- 433MHz transmitter is assembled with the range you chose (long range with a SMA connector, or short range).
- Battery holder is assembled only if it is a CR2032 holder, because it doesn't bother the soldering of the sensor. With a 14500 battery holder, if no sensor is added, the holder won't come soldered.



Assembling a board from scratch

Disclaimer: if you do not follow this guide, you may be in the incapability of properly solder any additional component. As some parts are stacked up, you need to think to what you will be doing before you start the assembly.

[Assembly order](#)

[Example of realizations](#)



NDSensors



Find us on NDSensors

