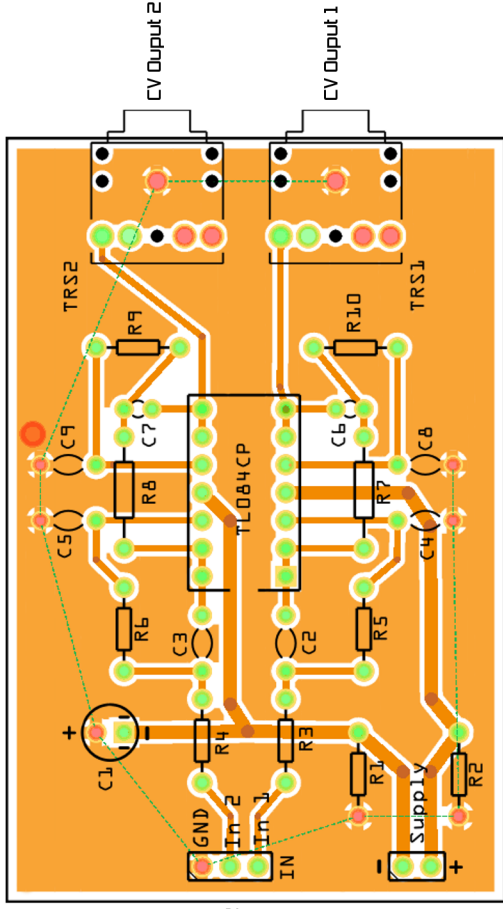
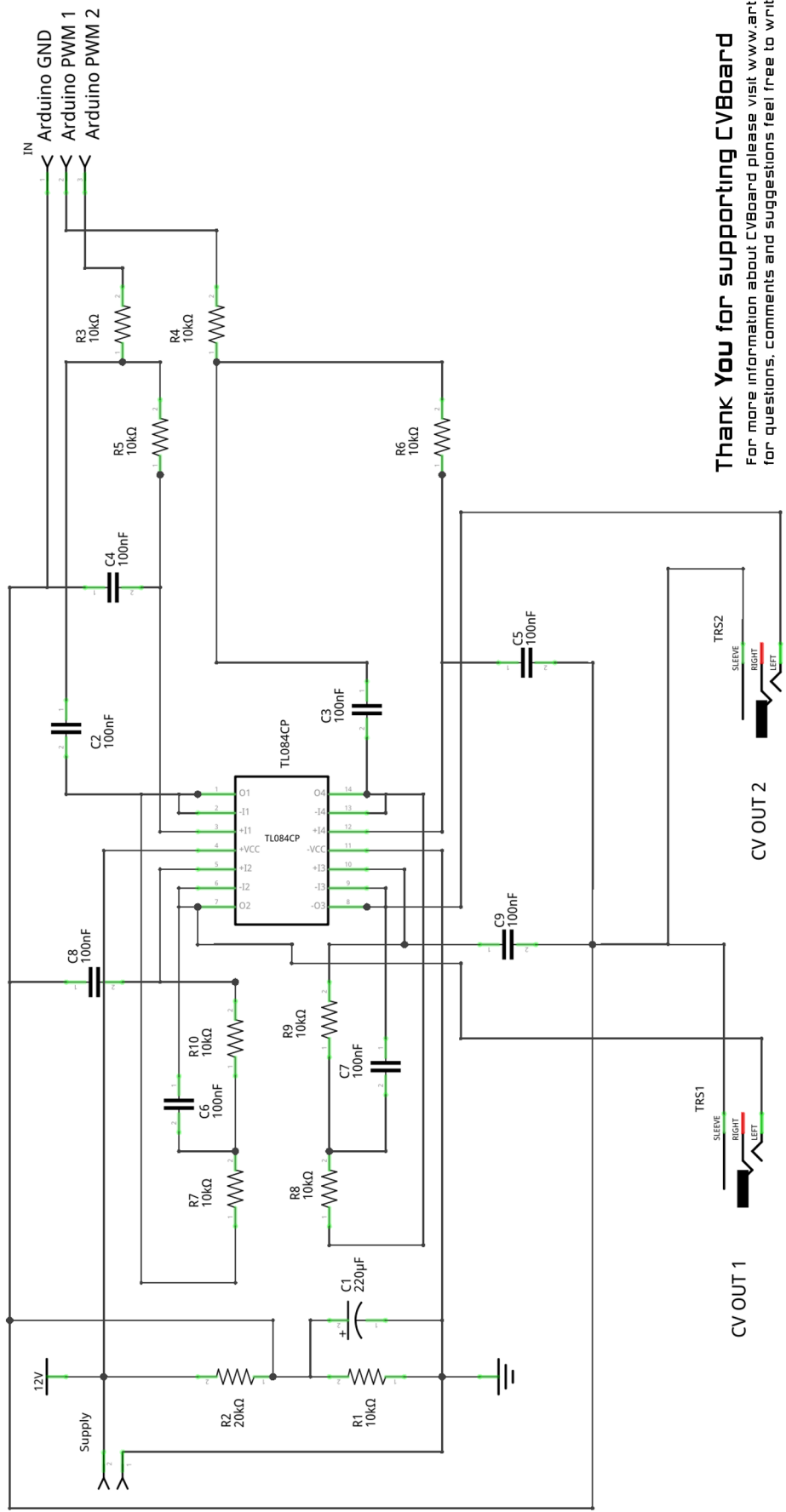


Artis Lab CVBoard DIY KIT

Dual channel Arduino Control Voltage board



External Supply Voltage (9-12V)
 Arduino Gnd
 PWM digital part 2
 PWM digital part 1



Thank You for supporting CVBoard

For more information about CVBoard please visit www.artisiab.it
 for questions, comments and suggestions feel free to write us at [info@artisiab\(dot\)it](mailto:info@artisiab(dot)it)