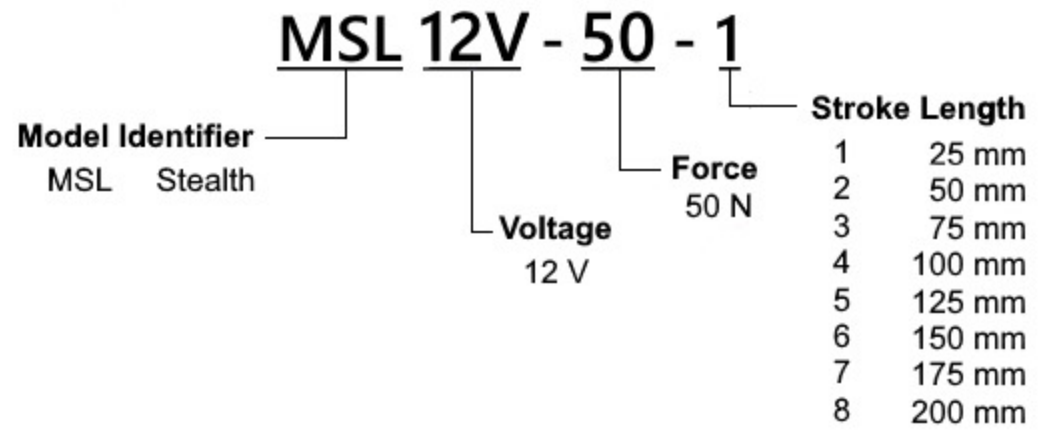
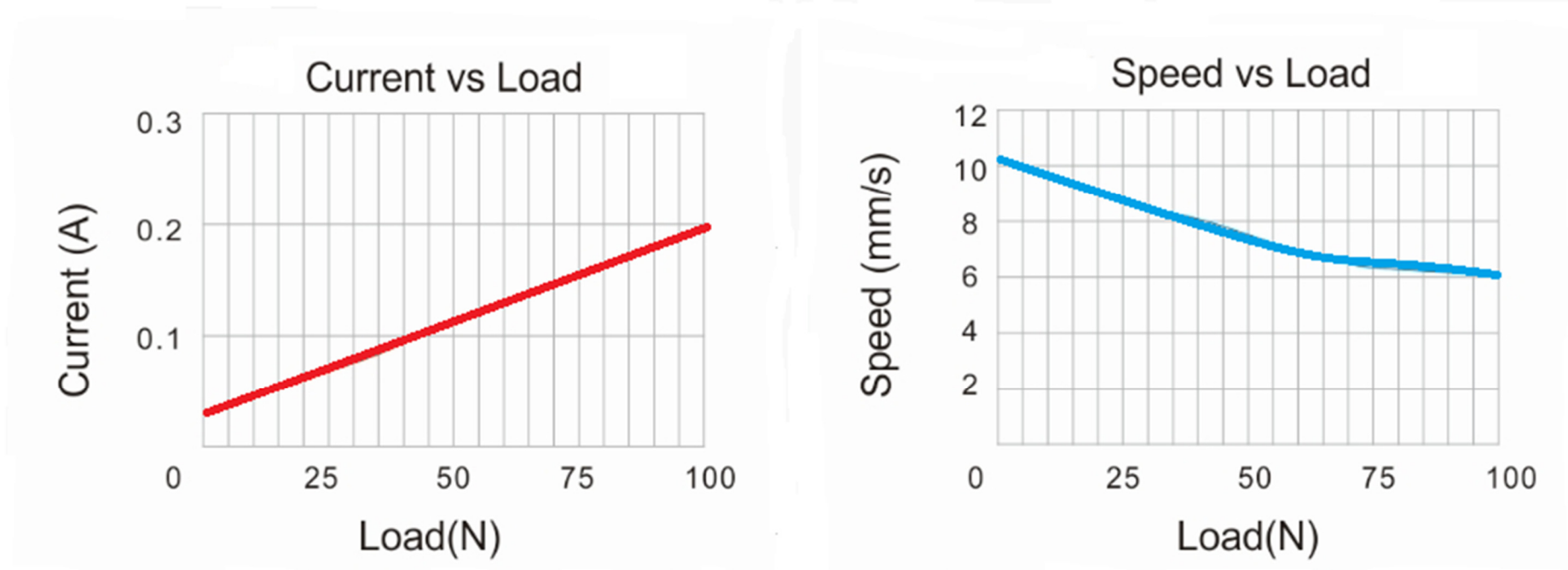


## Inline Stealth Micro Linear Actuator

SPECIFICATIONS	
Model No.	MSL12V-50-X
Input Voltage	12v DC
Stroke	25mm – 200mm
Speed	7mm at full load
Push Force	100N / 22 lbs.
Pull Force	50N / 11 lbs.
Static Load	50N / 11 lbs.
No-load Current	≤ 0.1A
Current at Full Load	≤0.3A
Back Drive Force	11 lbs. / 50N
Mechanical Backlash	≤0.2mm
Feedback	No
Stall Current	0.4A ≤I≤0.5A
Protection Class	IP54
Operation Temperature	+5 °C ~ + 40 °C
Noise	4 dB above ambient
Duty Cycle	30%, Max 5 min.
Limit Switch	No
Screw Type	Trapezoidal Screw
Clevis Holes	4.2mm
Mounting Holes	M4
Housing Material	Aluminum 6063
Inner Tube	Aluminum 6063
Wire Length	0.3m



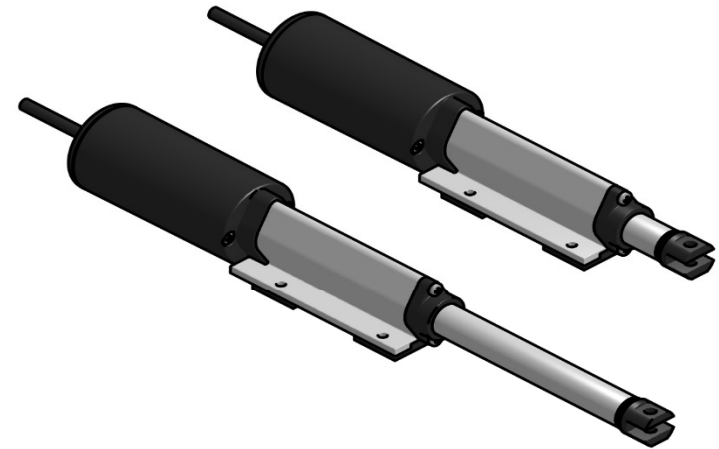
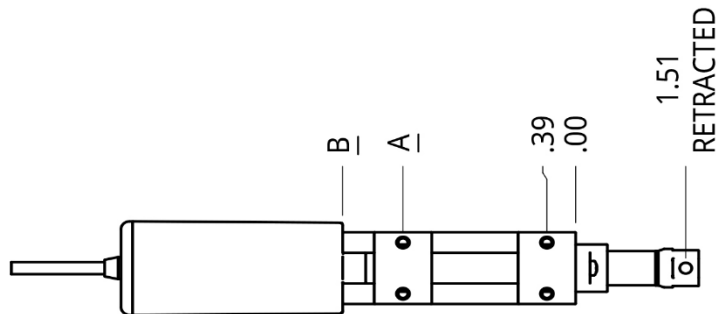
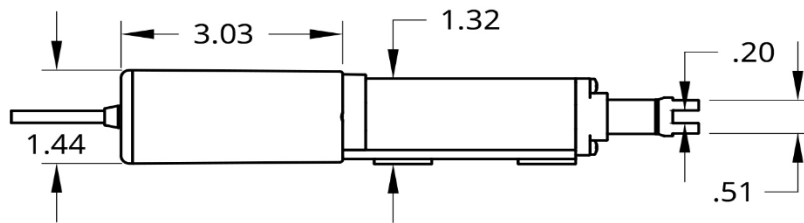
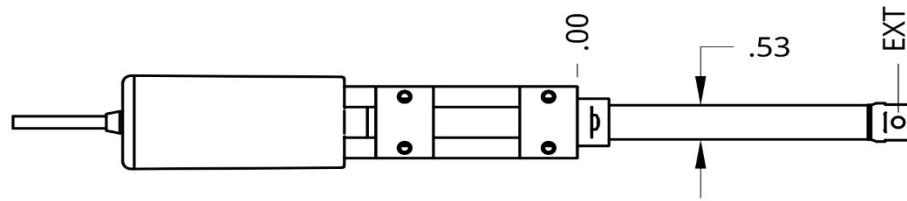
## Stealth Performance Graphs



For ordering inquiries, please contact via email us: [sales@microlinearactuator.com](mailto:sales@microlinearactuator.com) or visit us online at [www.microlinearactuator.com](http://www.microlinearactuator.com)



MSL12V-50-X  
QUIET MICRO LINEAR ACTUATOR



	Stroke	A	B	EXT
1	25 MM	.77	1.22	1.51
2	50 MM	1.75	2.21	3.41
3	75 MM	2.29	3.19	4.39
4	100 MM	2.29	4.17	5.37
5	125 MM	2.29	5.15	6.36
6	150 MM	2.29	6.19	7.34
7	175 MM	2.29	7.13	8.33
8	200 MM	2.29	8.13	9.31