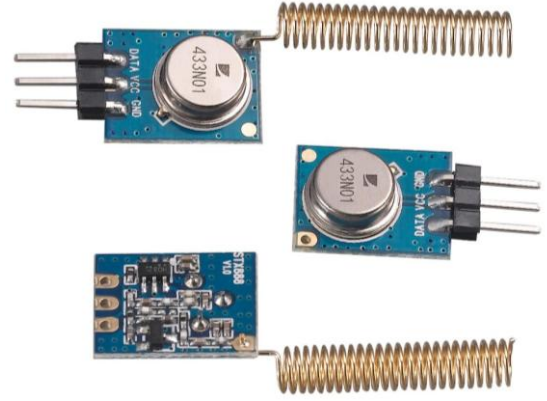


High-power ASK Transmitter Module STX888

1. Description

STX888 adopts high-performance wireless transmitter chip T01, which is a low-cost, high-power, low harmonic ASK transmitter module. With the performance of high stability, cost-effective, certified by ROHS, FCC, R & TTE, ETSI, CE, etc, the module can be connected to the microcontroller directly. So it is more convenient for user developing wireless products.



2. Features

- Frequency Range: 433/315 MHZ
- ASK modulation mode
- Small volume low self radiation
- High-power long-range
- Frequency stability
- Various international testing standards

3. Application

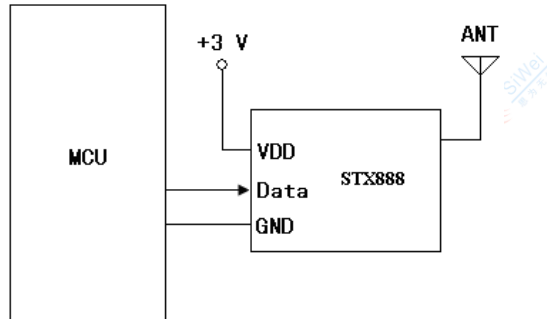
- Remote door
- Wireless security alarm
- Wireless industrial control
- Wireless data transmission

4. Electrical Specifications

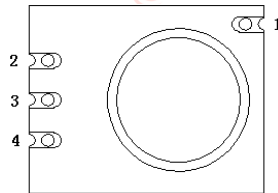
Parameter	Min.	Typ.	Max	Unit	Conditions
Operation conditions					
Supply Voltage	1.8	3.0	5.5	V	
Temperature	-20	25	70	°C	
Current consumption					
TX current		24.5		mA	@10dBm
Sleep Current		≤1		uA	
RF parameters					
Frequency Range	433.82	433.92	434.02	MHZ	@433MHZ
	314.9	315	315.1	MHZ	@315MHZ
RF power	8.5	10	11	dBm	@3V
		17		dBm	@5V

Air rate	0.1		9.6	Kbps	
----------	-----	--	-----	------	--

5. Schematic



6. Pin Definition



Pin Number	Pin Definitions	Description
1	ANT	Antenna input
2	DATA	Data input
3	VCC	Positive power supply
4	GND	Connected to power ground

7. Mechanical dimensions

