

# TinyFPGA BX Breakout (Revision A)

This is a breakout for the TinyFPGA BX development board by TinyFPGA (tinyfpga.com) which provides easy prototyping access to an additional 21 signals. Included are all the pin headers you need to assemble it as well as machine screws for more permanent mounting.

Three pogo pins are included to break out the WP, RST, and 1V2 test point signals. Scored carrier rails provide additional versatility and mounting options. The rails can also be removed for breadboard use. The TinyFPGA BX can be optionally socketed by using specialty pin headers and longer pogo pins.

## Contact Info

**Name** — Daniel Gilbert  
**Website** — tall-dog.com  
**Email** — contact@tall-dog.com

## Included Parts (visual part identification sheet attached)

	Count	Part Type	Pos.	Tech.	Rows	Pins	Mfr.	Part Number/Desc.
<b>A</b>	1	Bare PCB	52	TH	1	26	Tall Dog	REV-A
<b>B</b>	2	Male Header	40	TH	1	40	Generic	Standard
<b>C</b>	1	Male Header	16	SMD	2	8	Generic	Standard
<b>D</b>	1	Male Header	6	SMD	2	3	Generic	Standard
<b>E</b>	3	Pogo Pin	1	TH	1	1	Mill-Max	0906-1-15-20-75-14-11-0
<b>F</b>	2	Machine Screw	N/A	N/A	N/A	N/A	Generic	#6-32 × 3/16" Pan Head
<b>G</b>	4	Machine Screw	N/A	N/A	N/A	N/A	Generic	#2-56 × 3/16" Pan Head

## Detailed Specs (not including carrier rails)

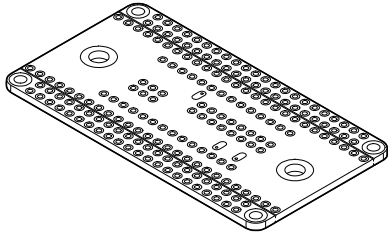
- **Grid Spacing** — 0.1" / 2.54 mm
- **Board Dimensions** — 2.6" × 1.0" / 66.04 mm × 25.4 mm
- **Board Surface Area** — 2.6 in<sup>2</sup> / 16.77 cm<sup>2</sup>
- **Board Thickness** — 0.063" / 1.6 mm
- **Number of Breakout Pins** — 52 pins (2 rows × 26 pins)
- **Row Spacing** — 0.9" / 22.86 mm
- **Number of Mounting Holes** — 2 holes
- **Mounting Hole Distance** — 2.0" / 50.8 mm
- **Mounting Hole Diameter** — 0.15" / 3.81 mm
- **Mounting Hole Pad Diameter** — 0.27" / 6.86 mm

## Recommended Tools

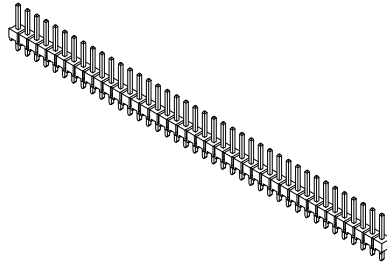
- Soldering iron
- Solder and flux
- Breadboard
- Diagonal cutters
- Blue tape
- Razor blade

***If you like using this product** please consider leaving a positive review on Tindie!  
**If you have any concerns or problems** please contact me at the email address above.*

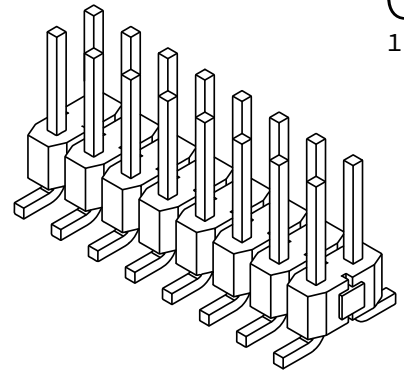
A  
1x



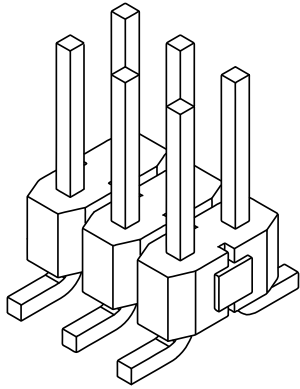
B  
2x



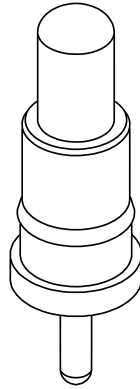
C  
1x



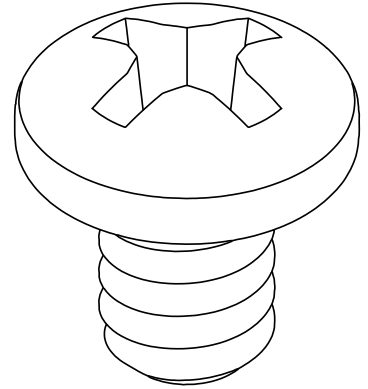
D  
1x



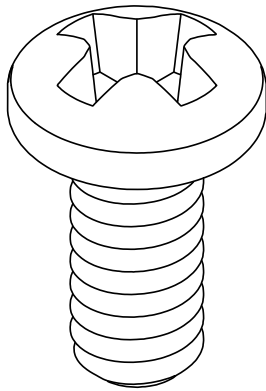
E  
3x

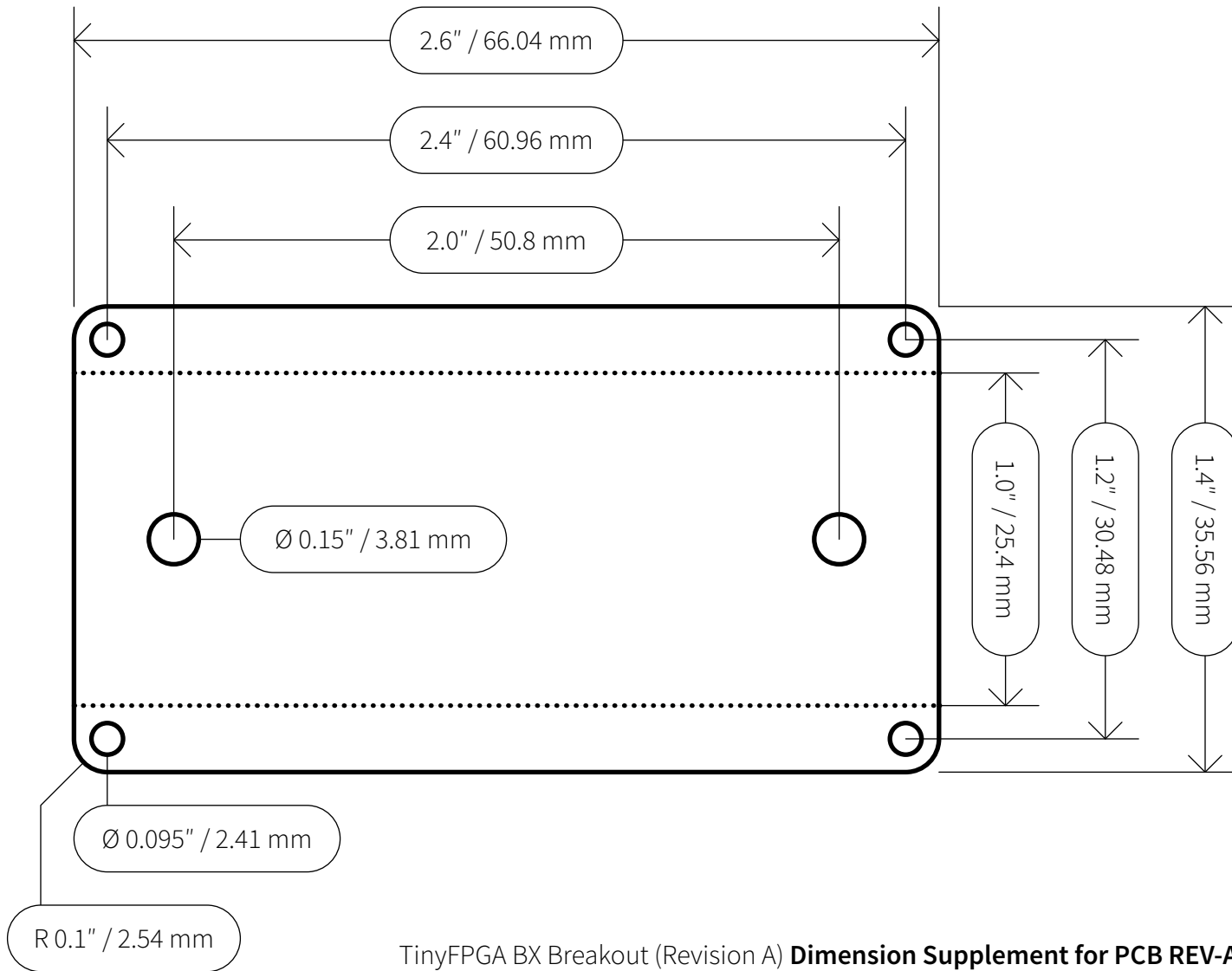


F  
2x



G  
4x





TinyFPGA BX Breakout (Revision A) **Dimension Supplement for PCB REV-A**