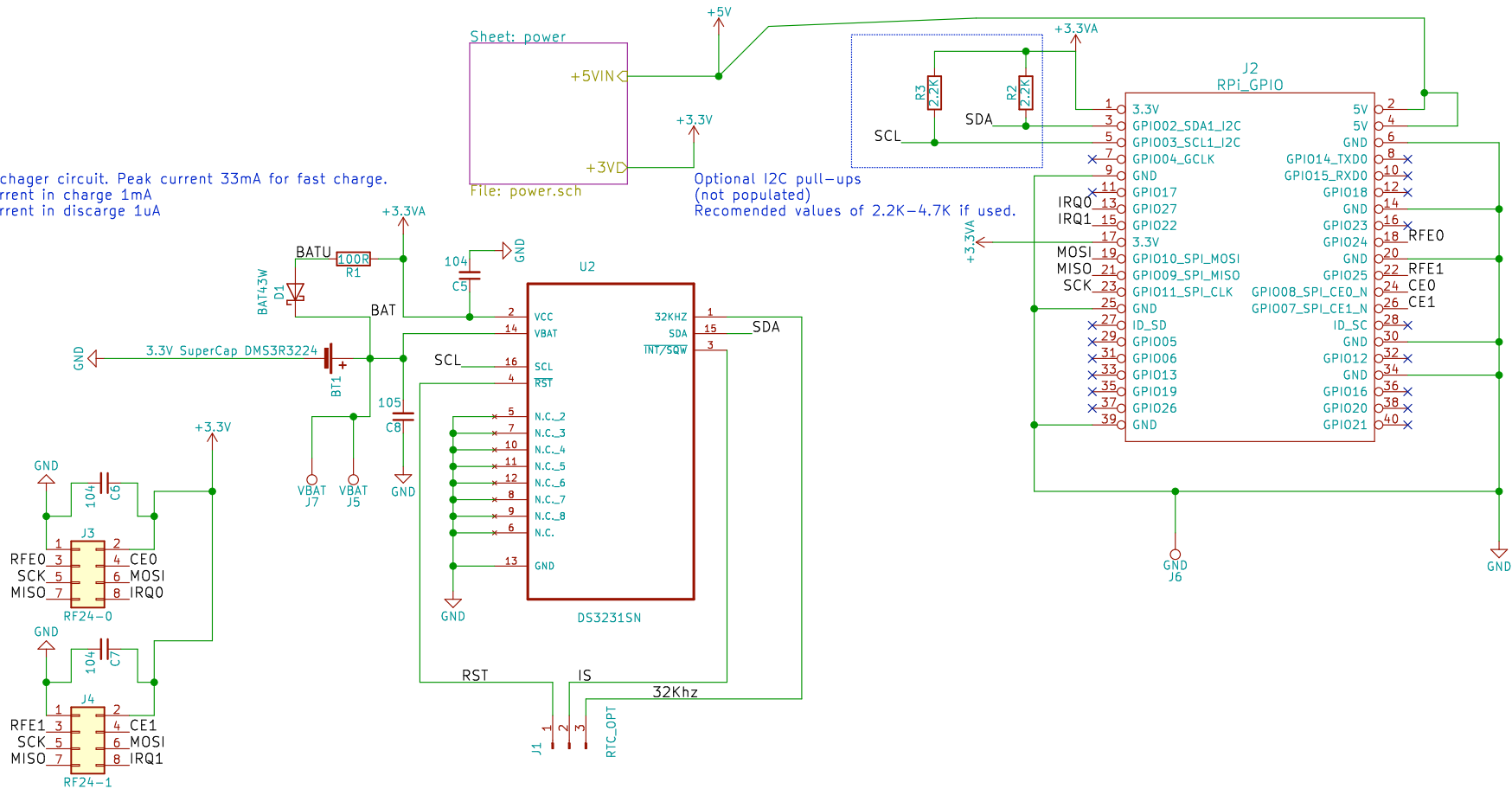


SuperCap charger circuit. Peak current 33mA for fast charge.
 Typical current in charge 1mA
 Typical current in discharge 1uA



BOROS RF2 V1.1

Sheet: /
 File: borosRF2.sch

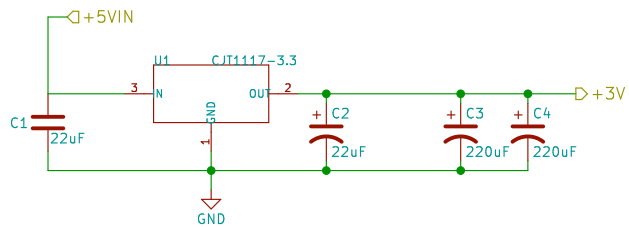
Title:

Size: A4
 KiCad E.D.A. kicad 4.0.7

Date:

Rev: 0

Id: 1/2



Boros RF Power

Sheet: /power/
File: power.sch

Title:

Size: A4
KiCad E.D.A. kicad 4.0.7

Date:

Rev:
Id: 2/2