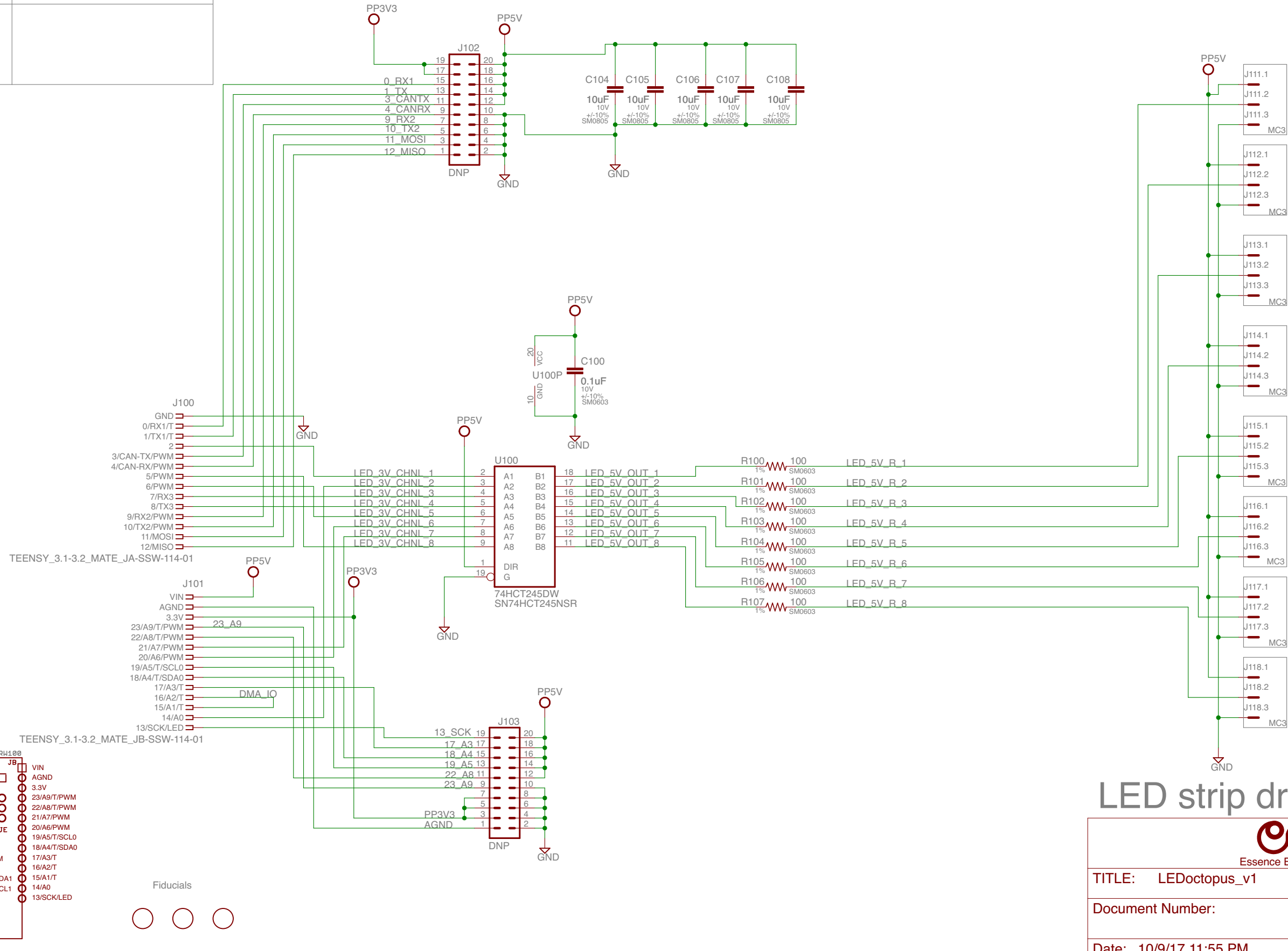


# LED octopus

Rev	Date	Engineer	Comments
1	10/9/17	Mingjing	Initial revision



# LED strip drive



Essence Engineering

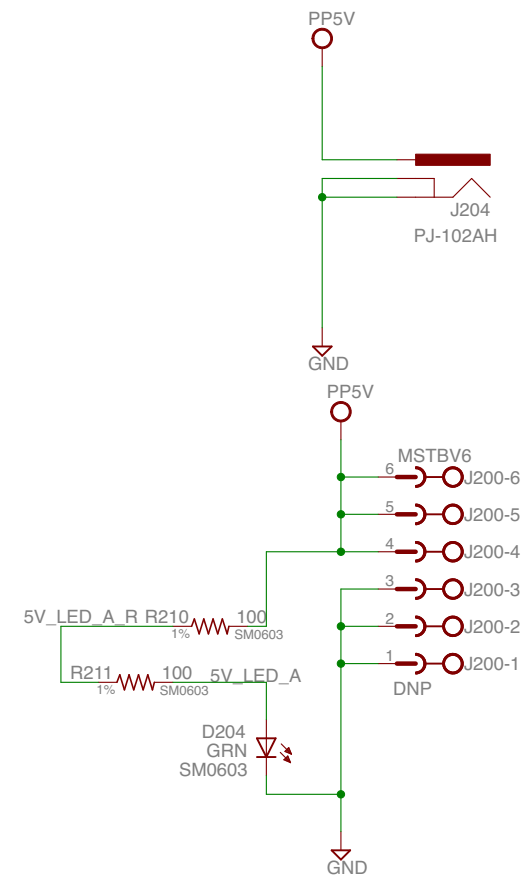
TITLE: LEDoctopus\_v1

Document Number:

REV:

Date: 10/9/17 11:55 PM

Sheet: 1/2



# Alternate Power inputs



Essence Engineering

TITLE: LEDoctopus\_v1

Document Number:

REV:

Date: 10/9/17 11:55 PM

Sheet: 2/2