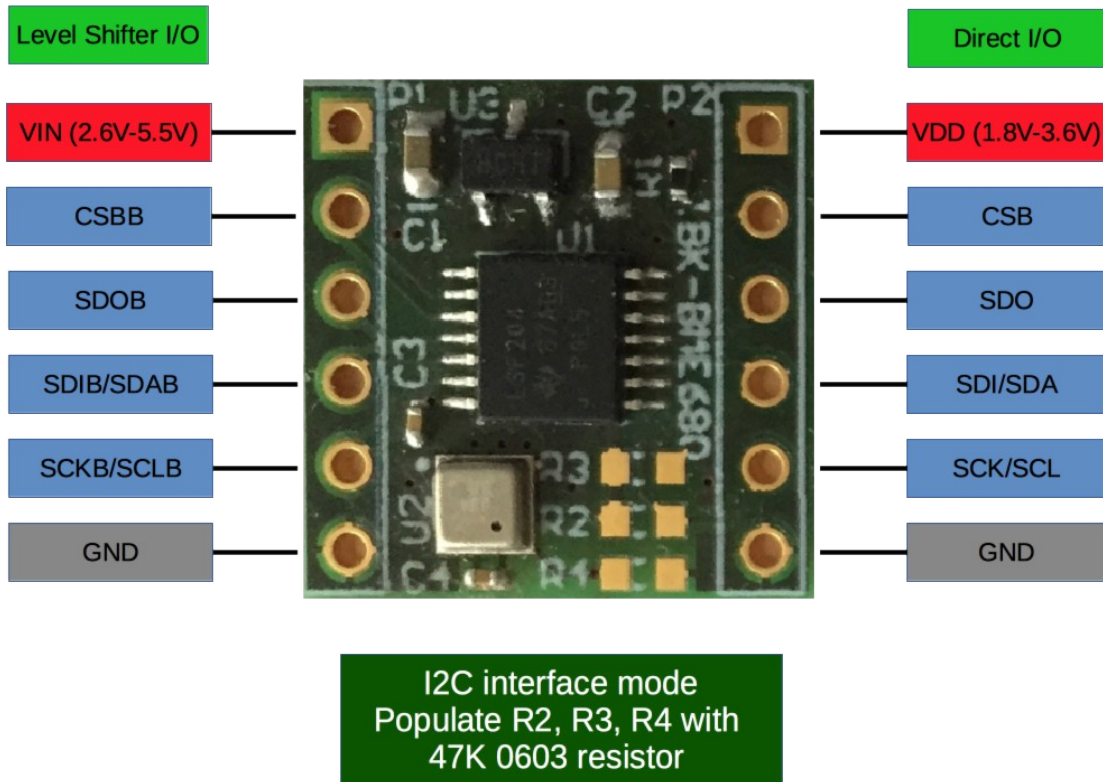


IBK-BME680 Breakout board

IBK-BME680



Hook up only one side of the breakout board. DO NOT hookup both side at the same time. Use left side (Level shifter I/O) micro-controller if its operating voltage is above 3.3V. Use right side (Direct I/O) to micro-controller if its operating voltage is below 3.3V.

For I2C mode, populate R2, R3, R4 with 47K resistor package 0603.

