



## Inline Nexus Micro Linear Actuator

The Inline Nexus Micro Linear Actuator series is the first set in Morai Motion’s new line of electric micro linear and track actuators.

Developed to fit an ever growing need for small scale linear motion that is precise, durable and affordable, the Inline Nexus is the perfect fit for all your micro automation needs.

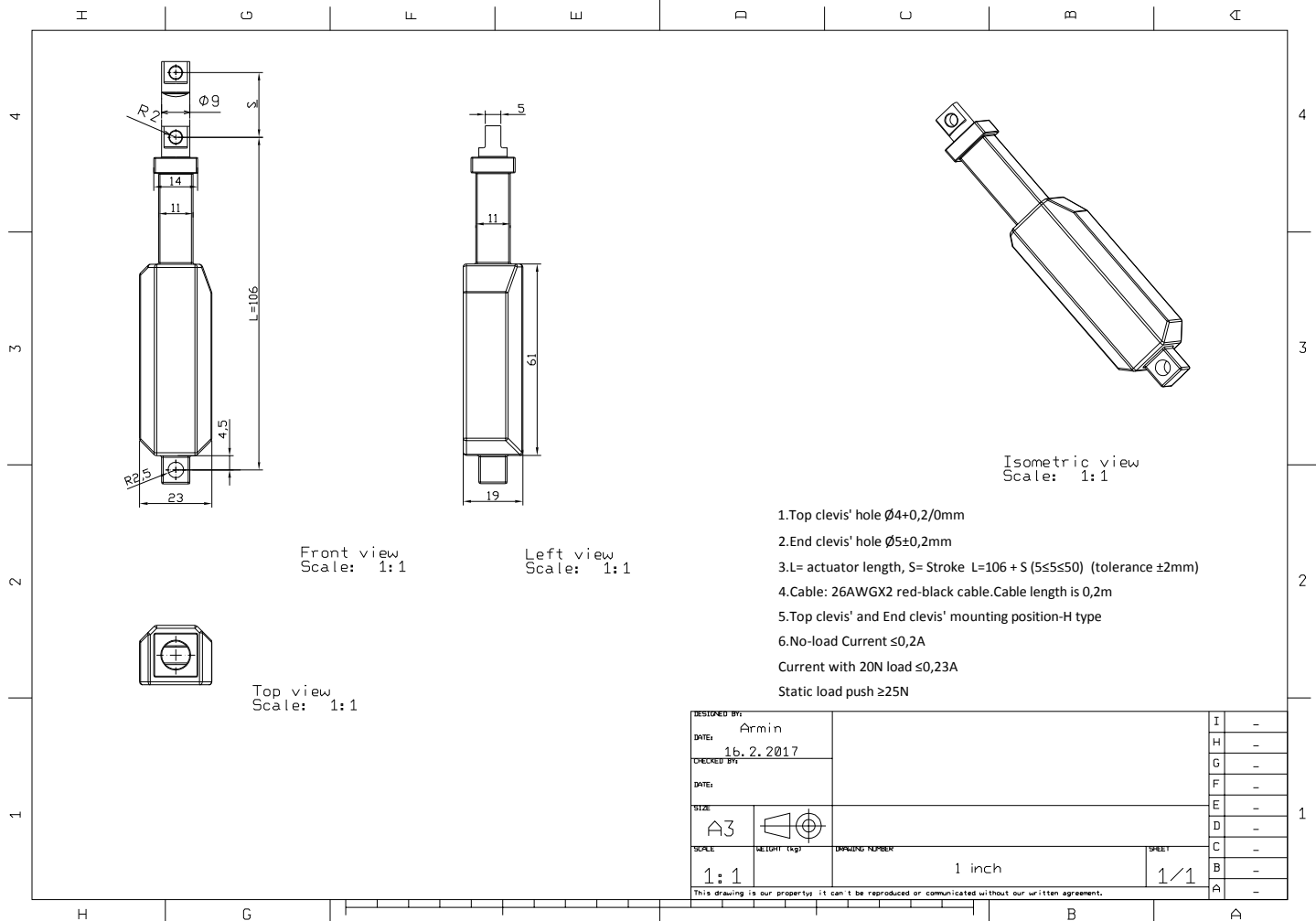
SPECIFICATIONS	
Model No.	ICL12V-51-X
Input Voltage	12V DC
Stroke	1-6 inch (25-150 mm)
Speed	0.51 in/sec (13 mm/sec)
Push/Pull Force	4.4 lbs
Static Load Push	25N
No-load Current	≤0.2A
Current (20N load)	≤0.23A
Peak Power Point	2.48W/204 rpm
Peak Efficiency Point	57.2%/340 rpm
Back Drive Force	20N
Mechanical Backlash	< 0.02 in (0.5 mm)
Feedback Potentiometer	No
Stall Current	1.1A
Protection Class	IP65
Operational Temperature	+40 ~ +104 F (+5 C ~+ 40 C)
Noise	65 db
Duty Cycle	10%, max 2 min. continuous use
Limit Switch	Built-In, Non-Adjustable
Screw Type	Trapezoidal Screw
Clevis Holes	Top Clevis/End clevis 4/4.2mm
Clevis Mounting	H-Type
Housing Material	PA66 + 33% GF
Inner Tube	Stainless Steel
Wire Length	7.87 in
Unit Weight	0.13-0.26 lbs
Mounting Brackets	Not included
Warranty	24 Months



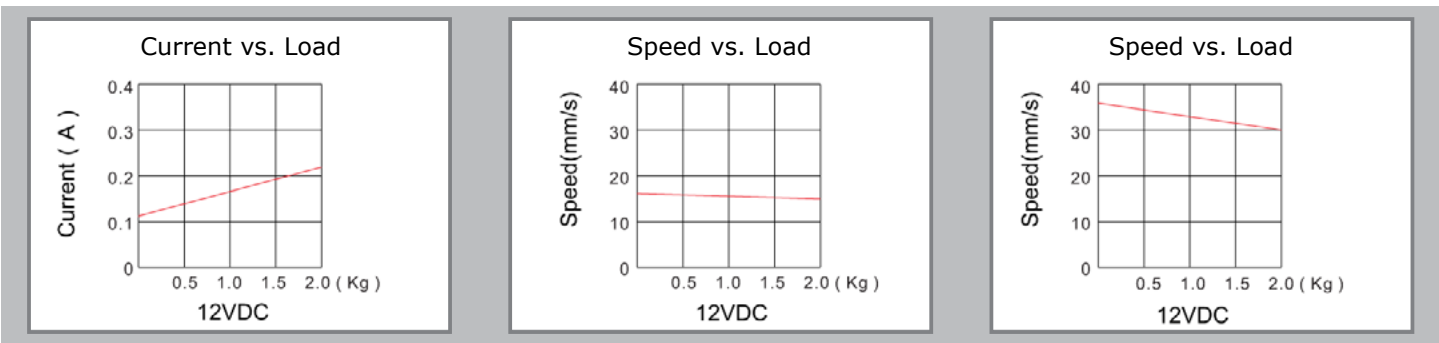
**Morai Motion**  
 For ordering inquiries  
 contact us at:  
**PHONE:**  
 1-800-691-6823  
**EMAIL:**  
[sales@microlinearactuator.com](mailto:sales@microlinearactuator.com)



## 1" Stroke Inline Nexus Micro Linear Actuator



## Performance



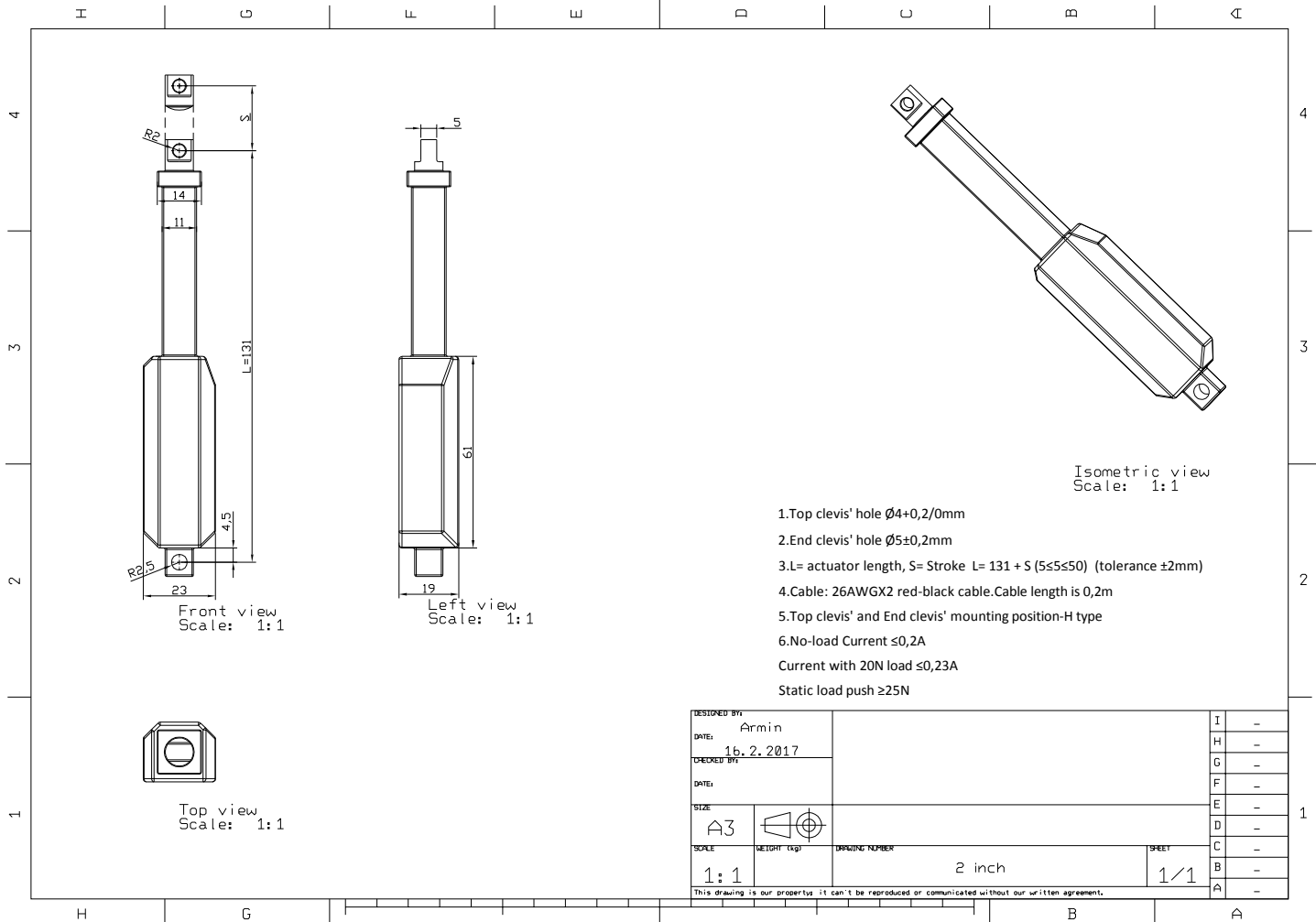
**Morai Motion**

For ordering inquiries contact us at:

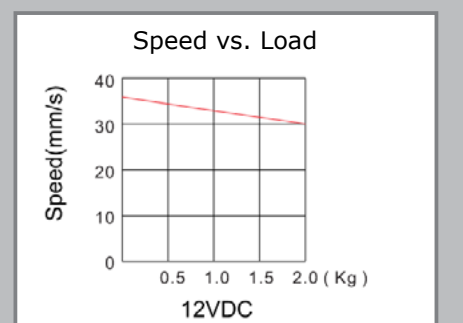
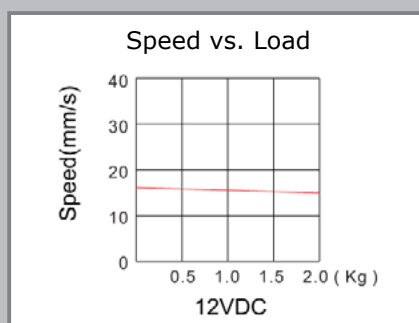
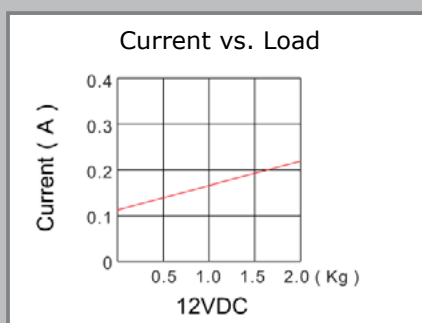
**PHONE:** 1-800-691-6823 **EMAIL:** sales@microlinearactuator.com



## 2" Stroke Inline Nexus Micro Linear Actuator



### Performance



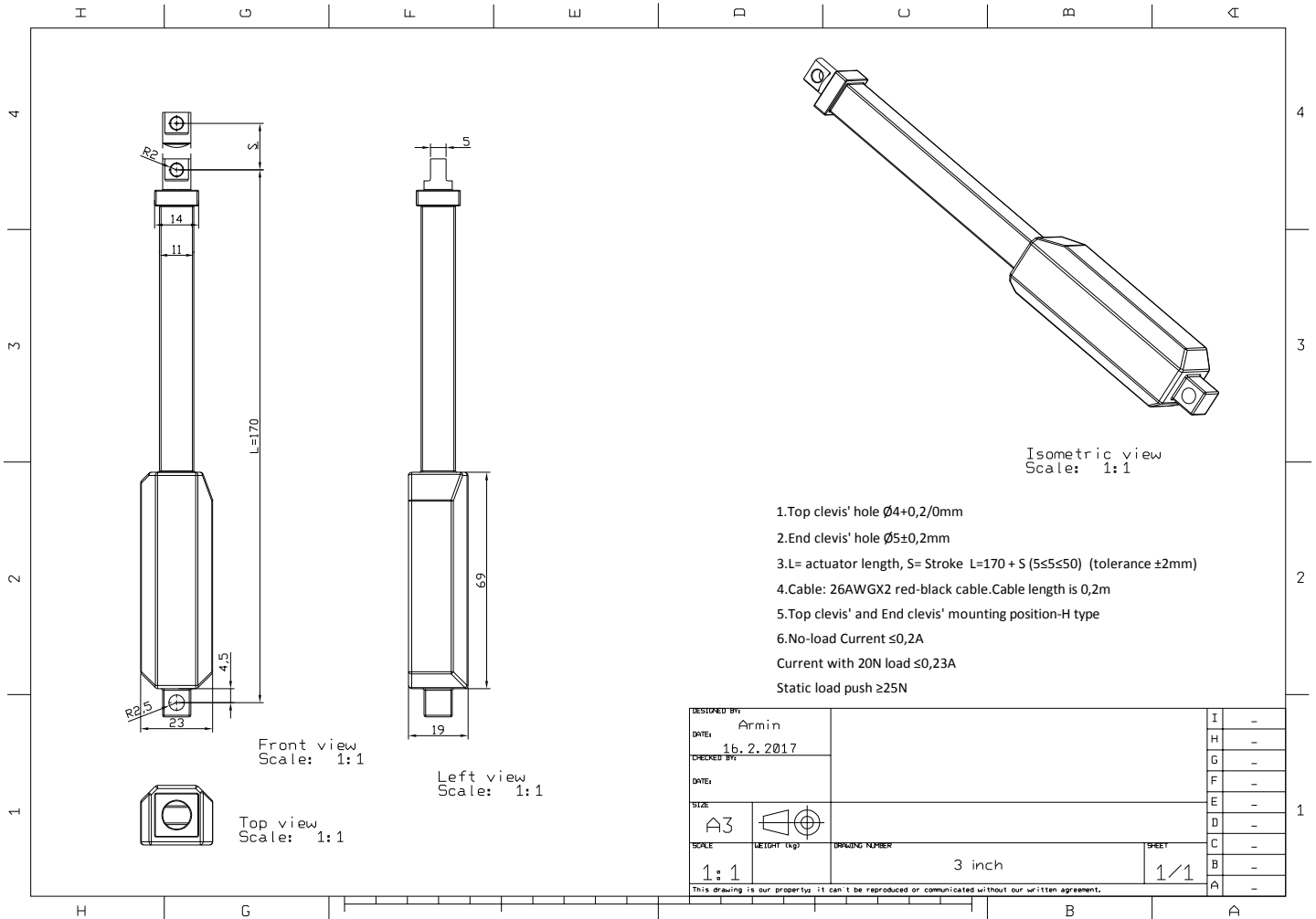
### Morai Motion

For ordering inquiries contact us at:

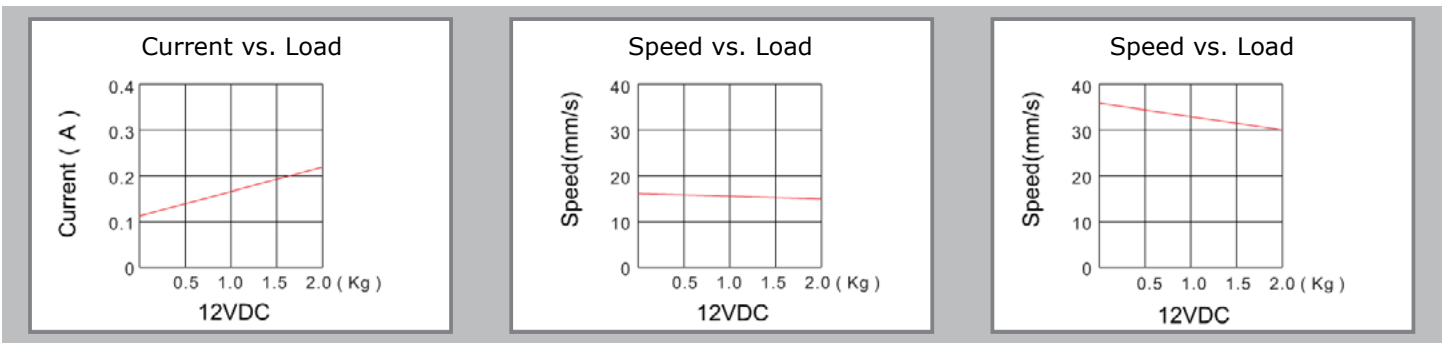
**PHONE:** 1-800-691-6823 **EMAIL:** sales@microlinearactuator.com



## 3" Stroke Inline Nexus Micro Linear Actuator



## Performance



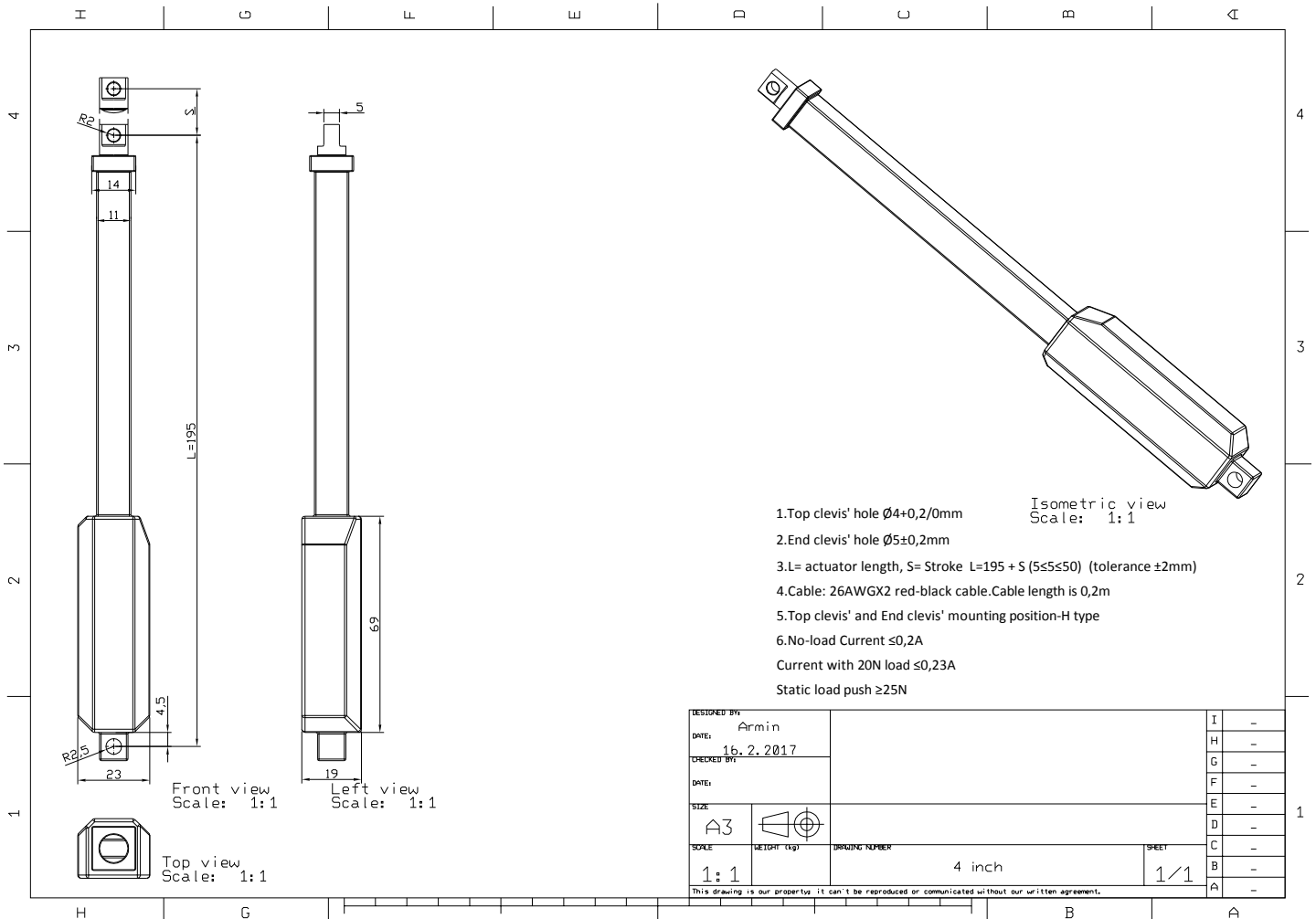
## Morai Motion

For ordering inquiries contact us at:

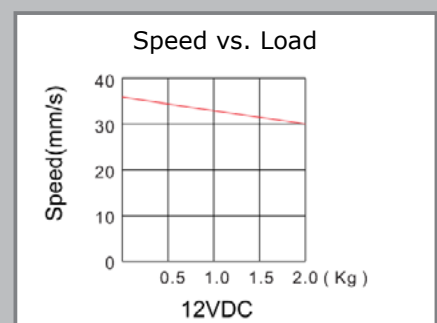
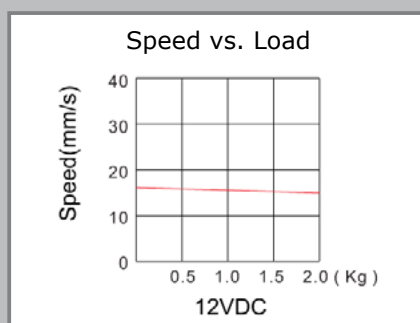
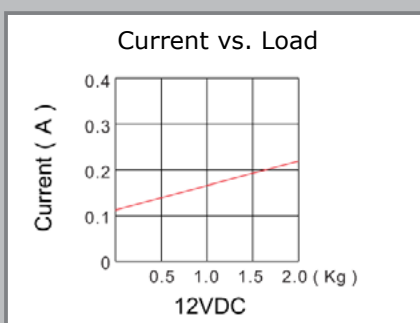
**PHONE:** 1-800-691-6823 **EMAIL:** sales@microlinearactuator.com



## 4" Stroke Inline Nexus Micro Linear Actuator



### Performance



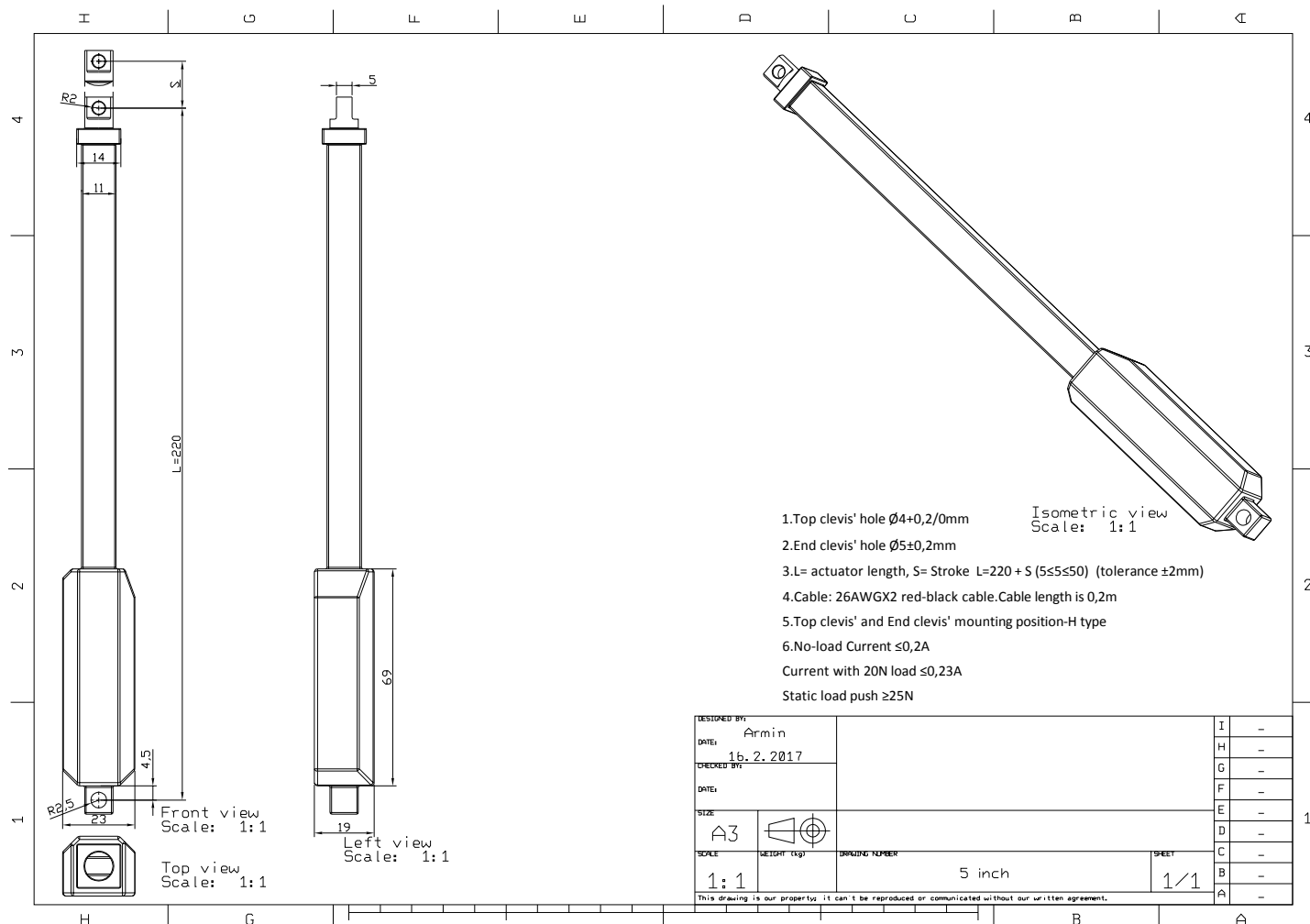
**Morai Motion**

For ordering inquiries contact us at:

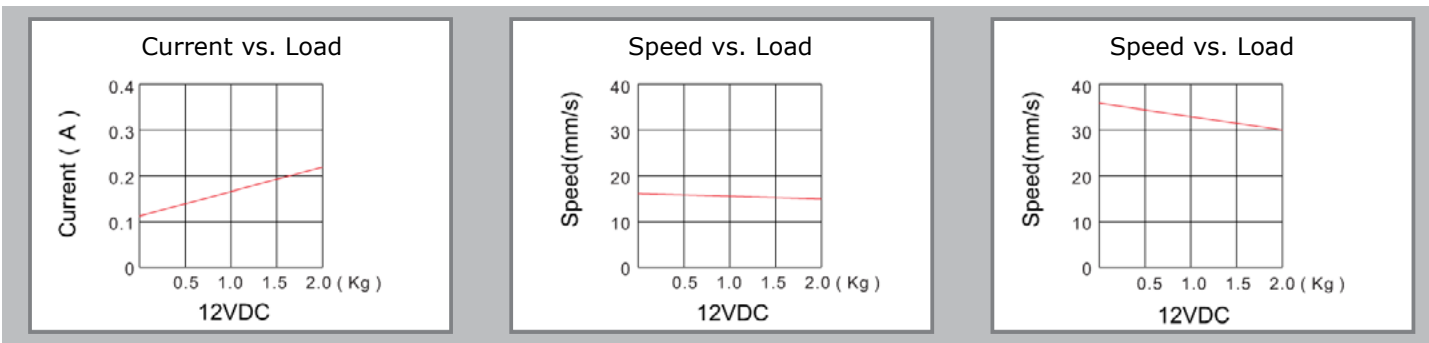
**PHONE:** 1-800-691-6823 **EMAIL:** sales@microlinearactuator.com



## 5" Stroke Inline Nexus Micro Linear Actuator



### Performance



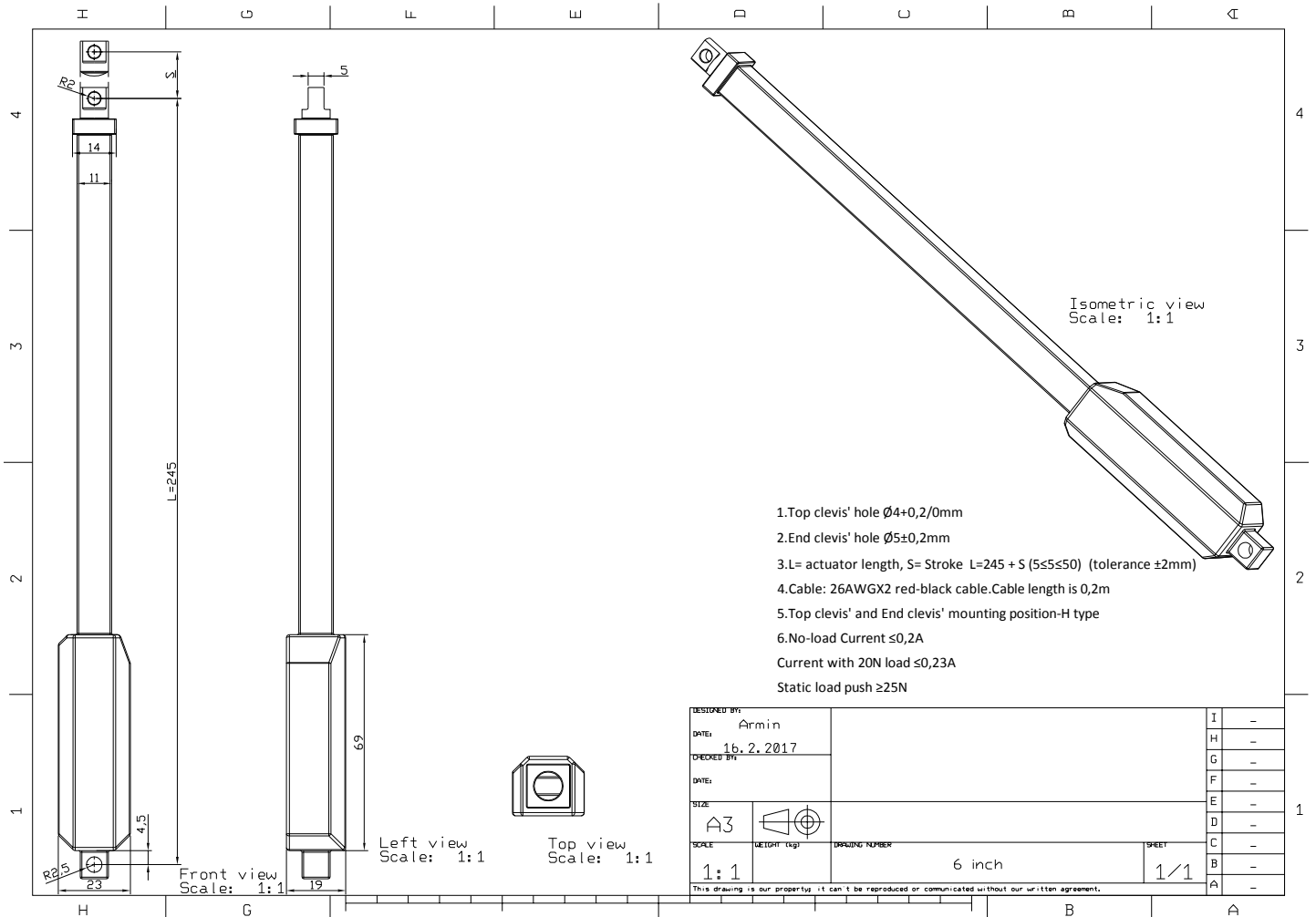
**Morai Motion**

For ordering inquiries contact us at:

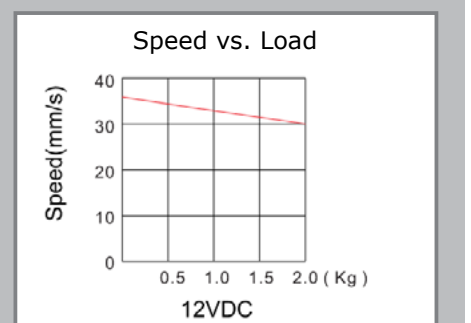
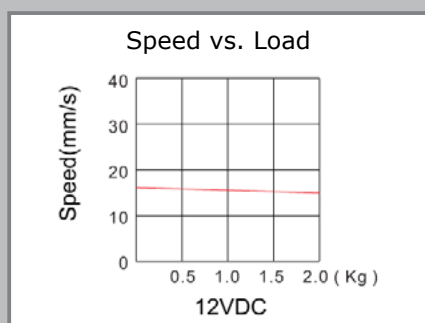
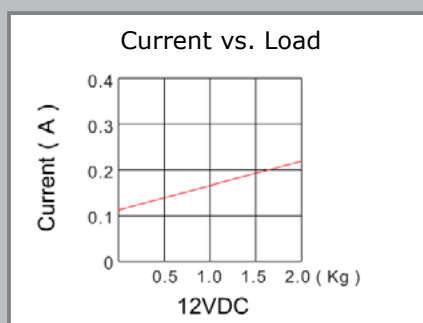
**PHONE:** 1-800-691-6823 **EMAIL:** sales@microlinearactuator.com



## 6" Stroke Inline Nexus Micro Linear Actuator



## Performance



**Morai Motion**

For ordering inquiries contact us at:

**PHONE:** 1-800-691-6823 **EMAIL:** sales@microlinearactuator.com