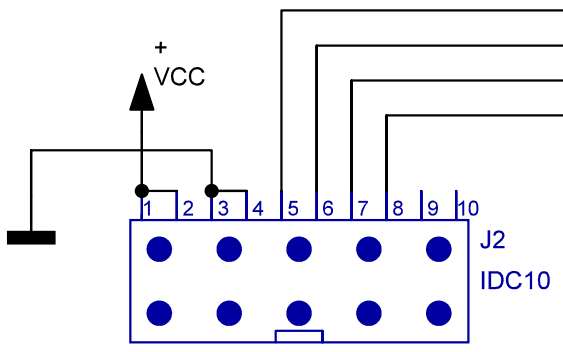


IDC Pin-out	
Pin	Function
1	5V In/Out
2	5V In/Out
3	GND
4	GND
5	Serial TX Out
6	Serial RX In
7	I2C Clock
8	I2C Data
9	Unused
10	Unused



Prod Version	Revision	Revision date
	2	2017-08-26
Prod Name		
Keypad Small buttons UNO		