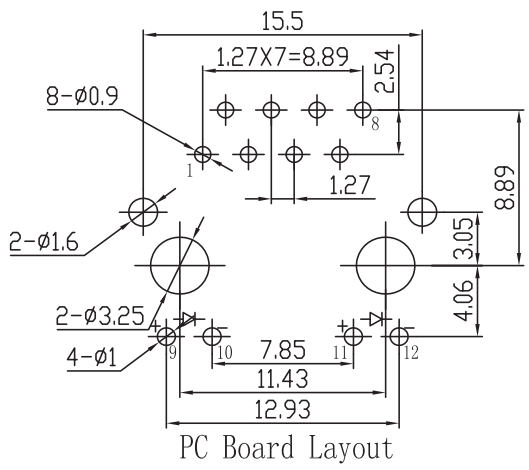
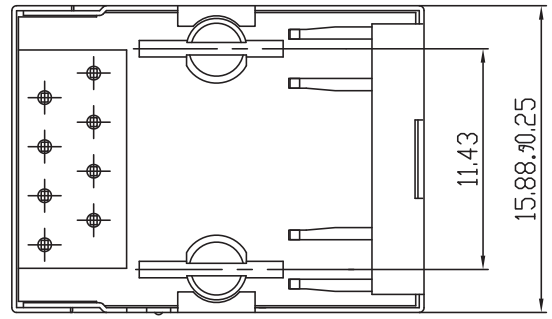
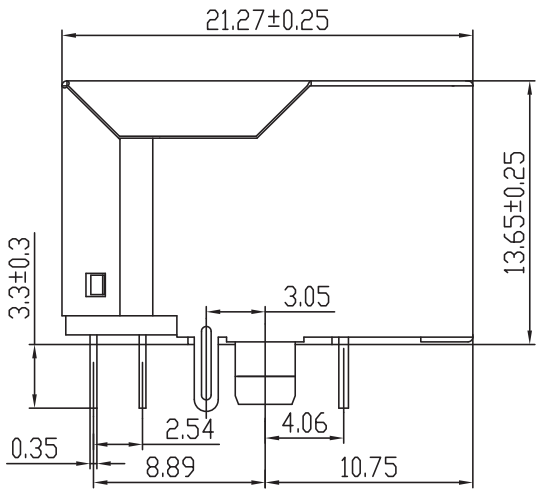
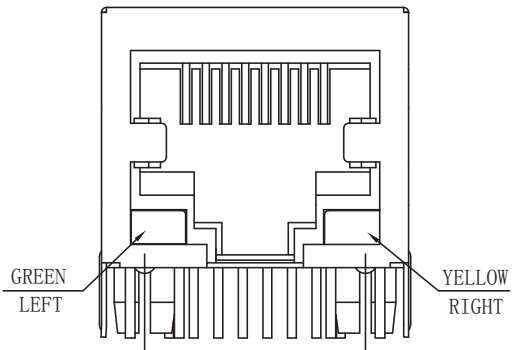


RoHS
2002/95/EC



NOTES:

ELECTRICAL:

- 1. VOLTAGE RATING : 125 VAC RMS.
- 2. CURRENT RATING : 1.5 AMP.
- 3. CONTACT RESISTANCE : 30 MILLIOHMS MAX.
- 4. INSULATION RESISTANCE : 500 MEGOHMS MIN @ 500 VDC.
- 5. DIELECTRIC STRENGTH : 1000 VAC RMS 50Hz or 60Hz, 1MIN.

MECHANICAL:

- 1. HOUSING & INSERT MATERIAL : PBT UL94V-0.
- 2. CONTACT MATERIAL : PHOSPHOR BRONZE T=0.46MM.
- 3. SHIELD : 0.20 ~ 0.25MM THICKNESS BRASS WITH TIN PLATED.
- 4. PLATING : 1. CONTACT AREA-SELECTIVE GOLD PLATING.
: 2. TAILS PLATING TIN OVER NICKEL.
- 5. MATING/UNMATING FORCE : 2.2KG. F MAX.
- 6. RETENTION STRENGTH : 7.7KG. F MIN BETWEEN JACK AND PLUG.
- 7. OPERATING LIFE : 750 CYCLES MIN.

ENVIRONMENTAL:

- 1. OPERATION : -40°C ~ +85°C.



ASSEMBLY DRAWING		GENERAL TOLERANCES UNLESS SPECIFIED		APPROVED BY:	TITLE:
SIZE	UNITS	X±0.25	X°±3.0°	CHECKED BY:	1X1 Tab-Down RJ45
A4	MM[INCH]	.X±0.20	.X°±2.0°		PART NO.:
SCALE	REV.	.XX±0.10	.XX°±1.5°	DESIGND BY:	Web.:
1:1	A0	.XXX±0.05	.XXX°±1.0°		www.ingketech.com

Ingke
Technology

SHEET
1/1

