

NEUTRONNED – MAX9814 Microphone Module for the Teensy

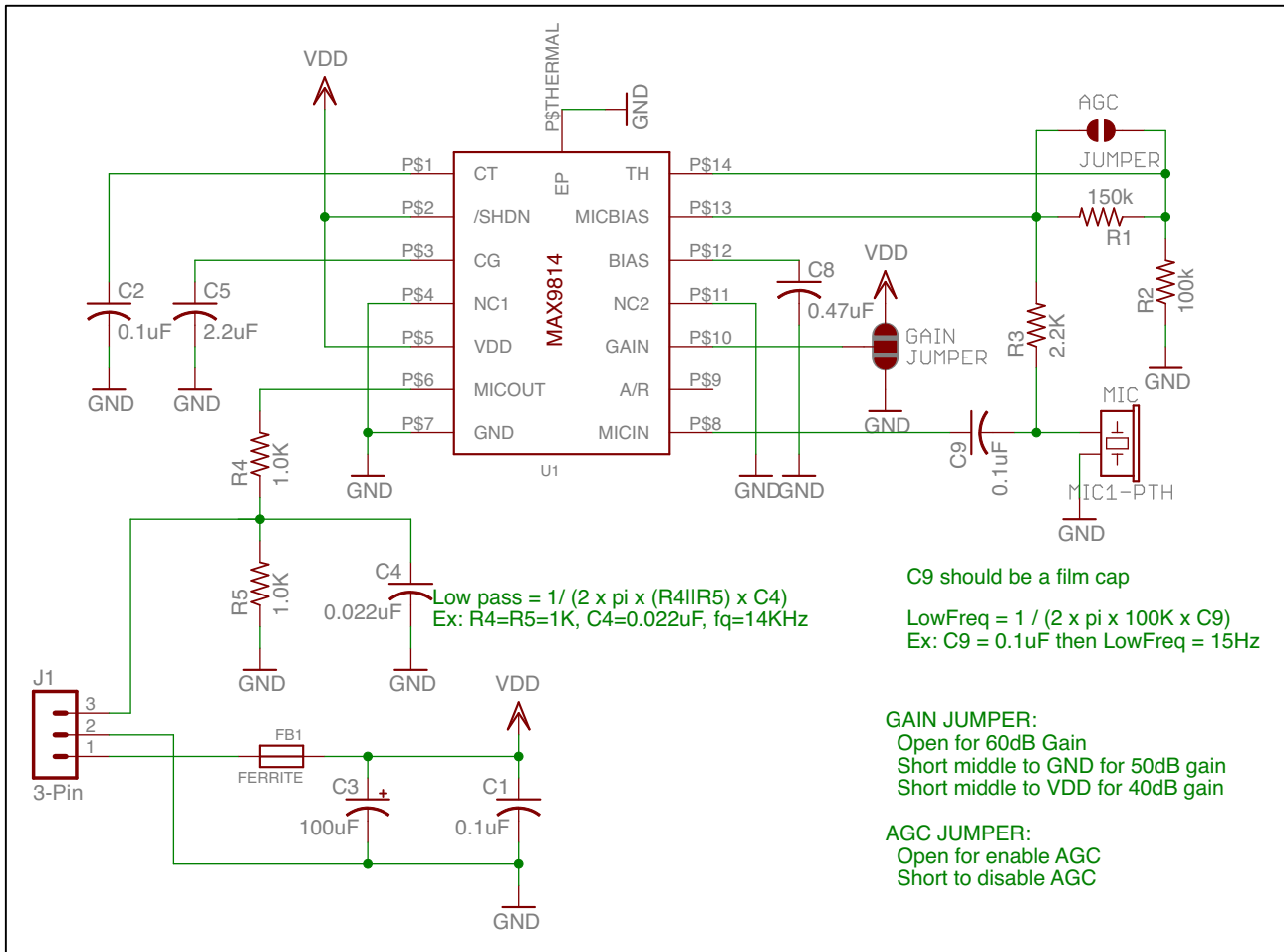


Figure 1 – Electrical Schematic



Figure 2 – Front side of board

NEUTRONNED – MAX9814 Microphone Module for the Teensy

To disable the Auto-Gain-Control – solder across the jumpers marked AGC in Figure 3.

The Gain defaults to 60dB, the most sensitive settings. To decrease it to 50dB, solder across the jumper pads marked “G” and “O” in Figure 3 (center pad to right pad in the image). To decrease the gain to 40dB, solder across the jumper pads marked “V” and “O” in Figure 3 (center pad to left pad in the image).

CAUTION: Do not solder across all three pads “V” “O” and “G” or you will short 3.3V to ground!

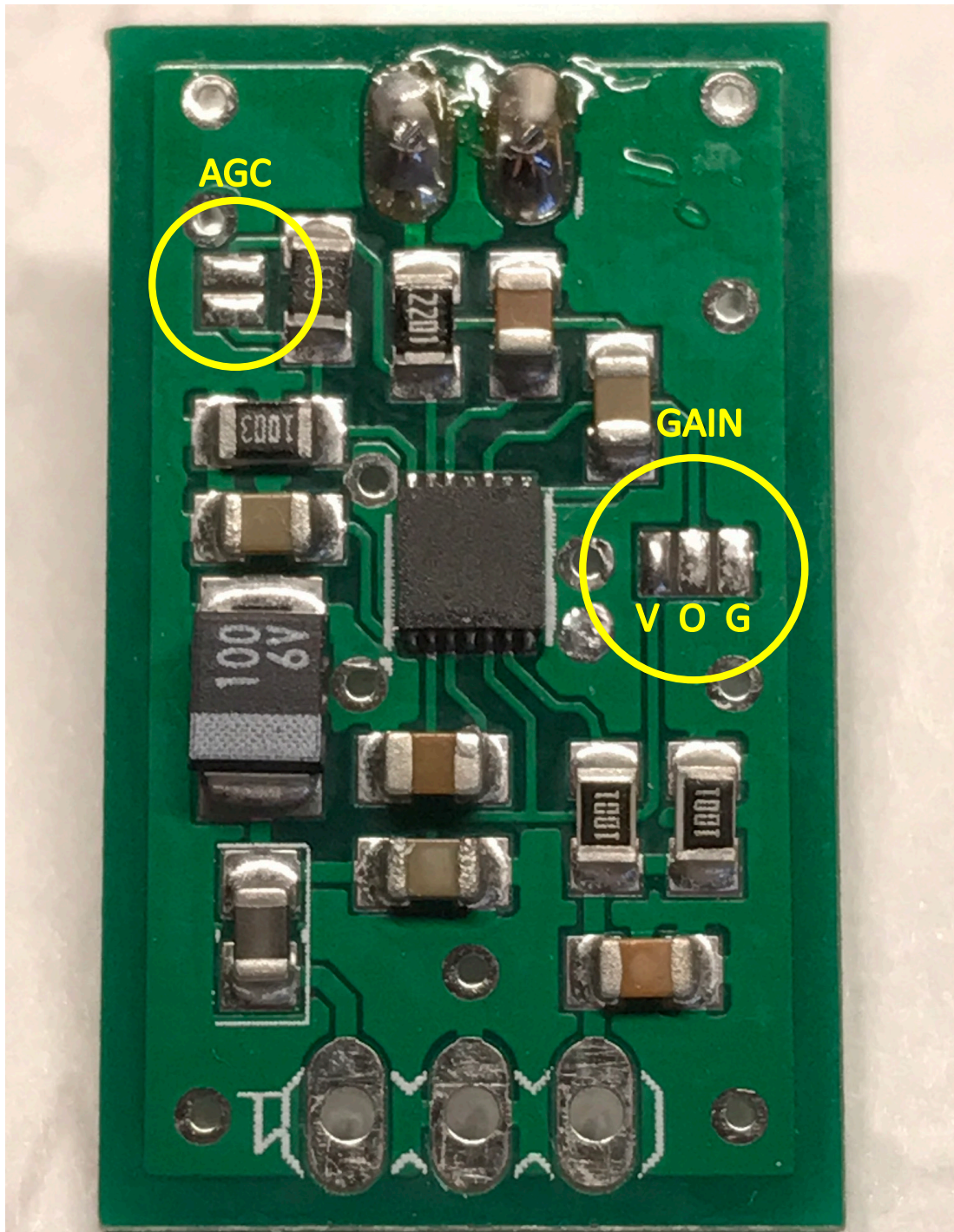


Figure 3 – Back side of board