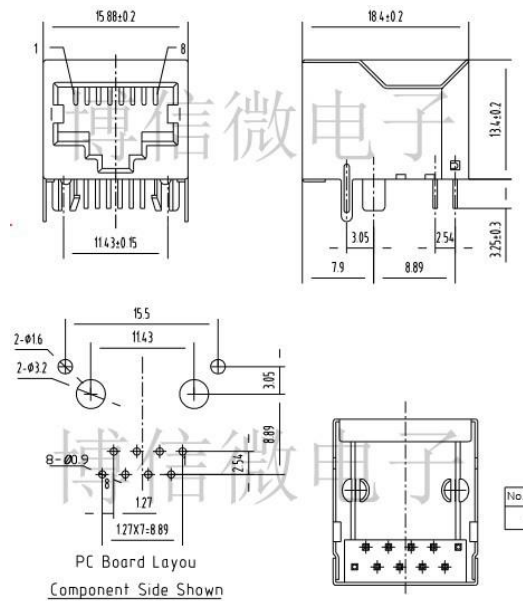


Components required

- 2x 10k resistor
- Arduino Duemilanove-compatible headers (2x 8-pin, 2x 6-pin)
- 8-pin DIL socket
- MAX485 RS485 decoder chip
- 2-pin header and jumper
- 2x RJ45 socket (footprint below)



Notes

- The headers JP2 and JP3 are intended for an address selector addon board which is, at the time of writing, still under development.
- J1 to J8 can be used for screw terminals.
- The square prototyping area in the middle consists of single, unconnected pads.
- The prototyping area on the right is set up the same way as a breadboard.