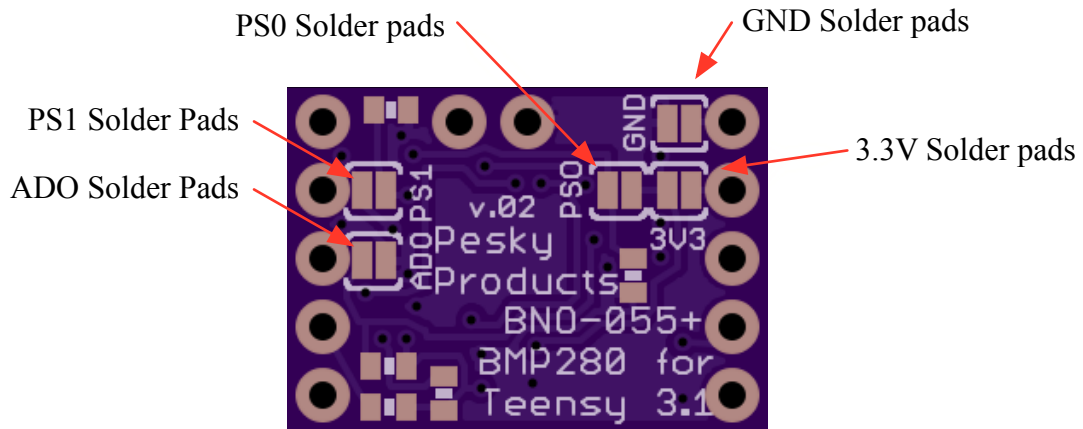
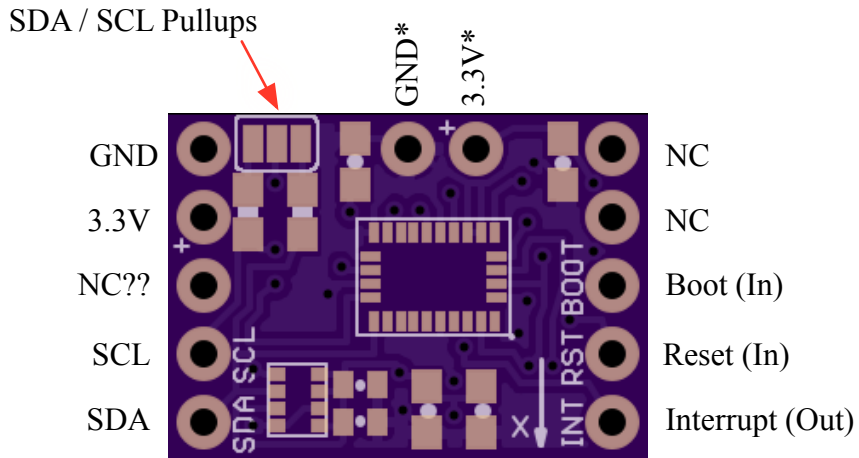


BNO055+BMP280 Breakout Board by Pesky Products



Pads	Function	Solder Pads		Teensy3.1 Setup
		Unsoldered	Soldered	
ADO	I2C Addr	0x29	0x28	Unsoldered
SDA/SCL	Pullups	Not pulled up to 3.3V	Pulled up to 3.3V	Soldered
PS1/PS0	See table below			Unsoldered
3.3V	Connects 3.3V* pad to 3.3V pad			Soldered
GND	Connects GND* pad to GND pad			Soldered

*These are the primary power pins.

PS1	PS0	Function
0	0	Standard I2C
0	1	HID over I2C
1	0	UART Interface
1	1	Reserved

0 = Unsoldered, 1 = Soldered