

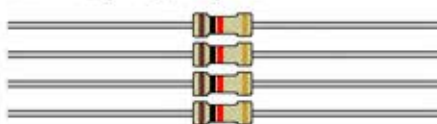
Synthrotek AstroNoise Visual Bill of Materials / Parts List

RESISTORS

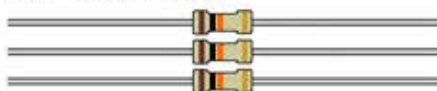
330Ω - R1



1KΩ - R5, R6, R7, R8



10KΩ - R2, R4, R9



100KΩ - R3



total: 9

CAPACITORS

100nF Ceramic - C6, C7, C8, C9, C10



220nF Electrolytic - C3



470nF Electrolytic - C13



1uF Electrolytic - C5



2.2uF Electrolytic - C12



10uF Electrolytic - C2



100uF Electrolytic - C1, C11



total: 12

DIODES

5mm Red LED - D3



1N4148 - D1, D2



total: 3

VOLTAGE REGULATOR

LM78L05 - U5



INTEGRATED CIRCUITS

8-Pin Socket - U1



14-Pin Socket - U2, U3, U4



7555 Timer - U1



74HC164 - U2



74HC86 - U3



CD4093 - U4



POTENTIOMETERS

100k Linear - Rate



500k Linear - OSC_LVL



1M Linear - OSC1, OSC2



100k Audio - Volume



total: 5

5 Knobs



SWITCHES

SPST - ON/OFF, OSC_ON/OFF



SPDT (On/Off/On) - TONE



JACKS/CONNECTORS

1/8" Switched Mono Jack
OUT, CV, OSC_IN



OR

1/4" Switched Mono Jack
OUT, CV, OSC_IN



DC JACK



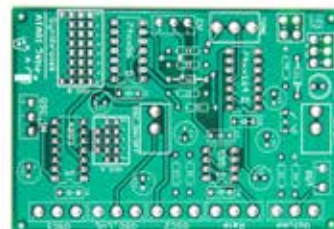
9V Battery Clip



5 Feet Wire



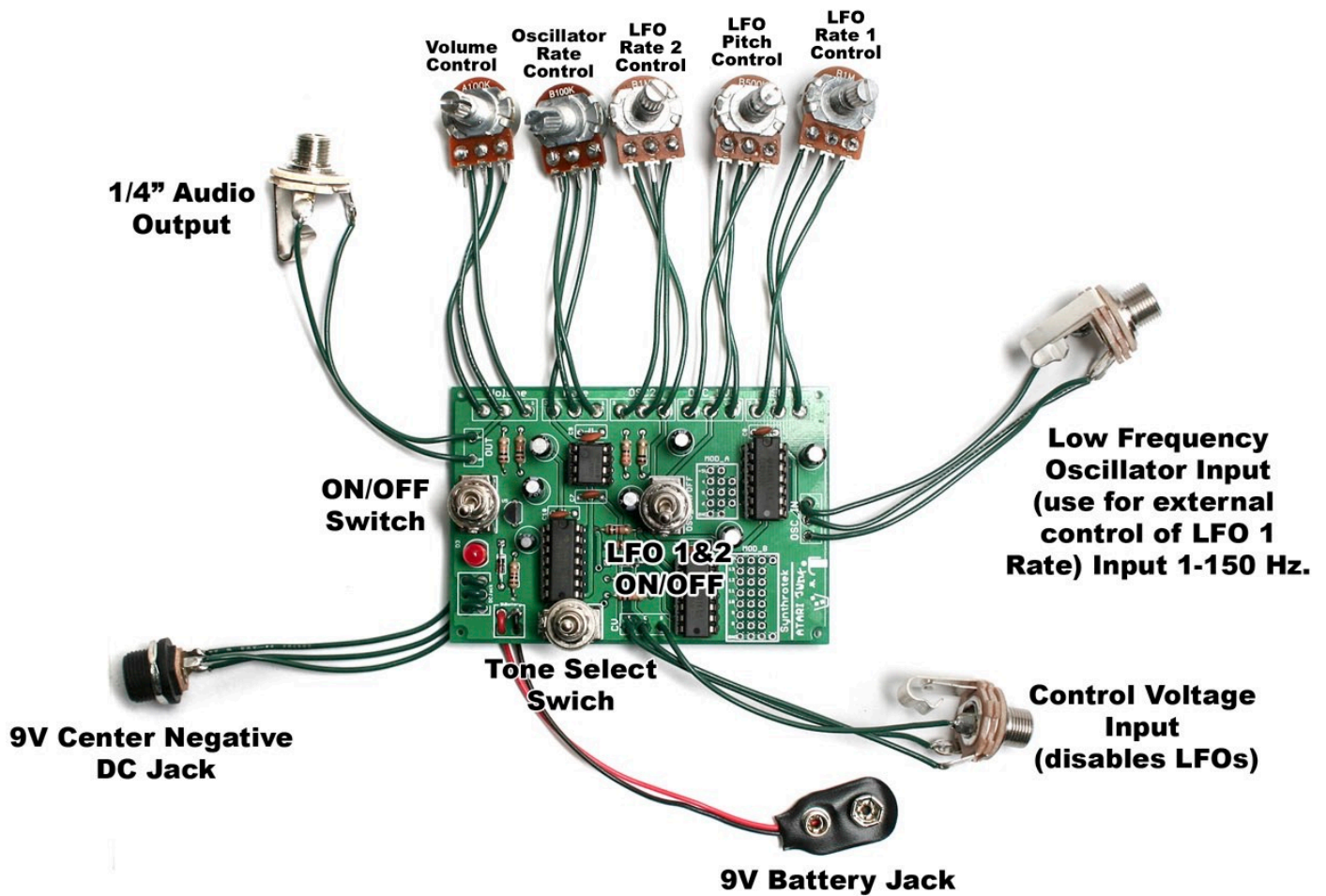
PCB



AstroNoise Quick Start Guide

The AstroNoise is a massive vintage video game-inspired noise-making machine! Shape the galactic frequencies with 4 onboard controls. The "Oscillator Rate" controls the master frequency. The two LFOs and the LFO pitch modulate that frequency and together allow you to make rhythms, video game motorcycle sounds, 8bit explosions, razor-edge squares and more.

The AstroNoise whets your appetite futher by letting you choose between 3 different radical vintage tones. The adventurous user can use it to make beats, lead lines and noise swashes by connecting other devices into the LFO input and the Control Voltage input (optional). The fun doesn't end after building the circuit! Take your creative skills futher by designing your own custom enclosure out of an old cigar box, lunch box, doll head, etc!



classic noise.