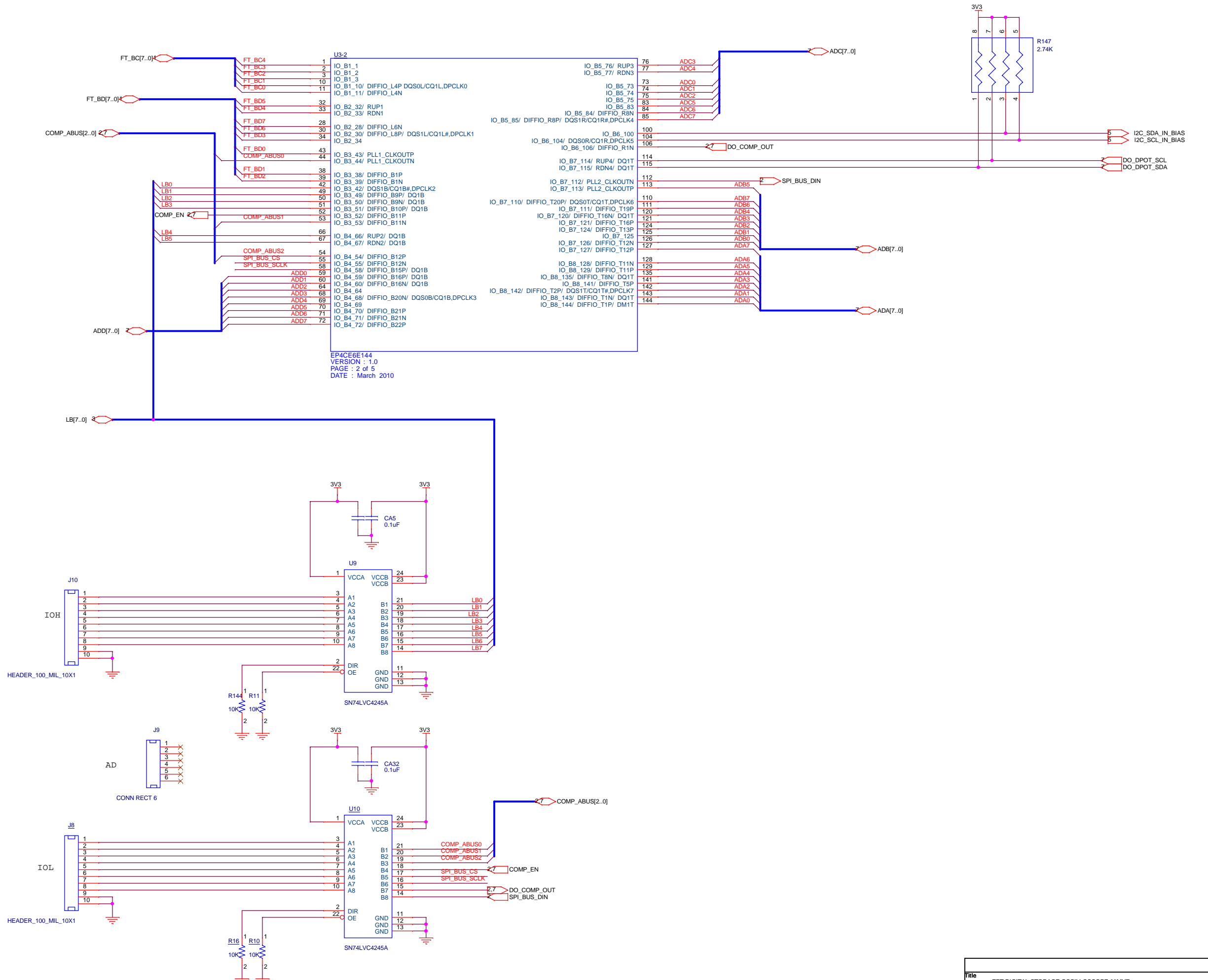
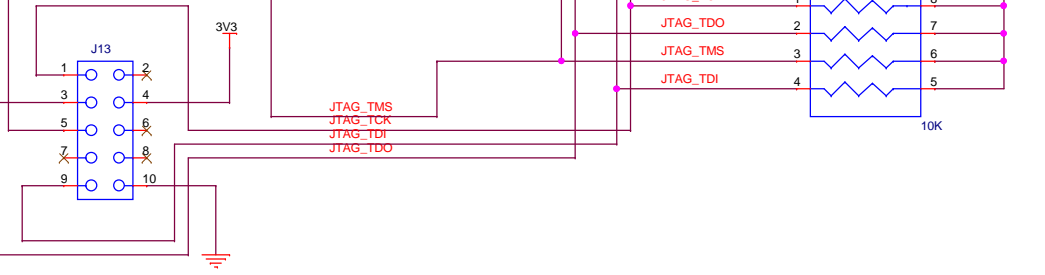
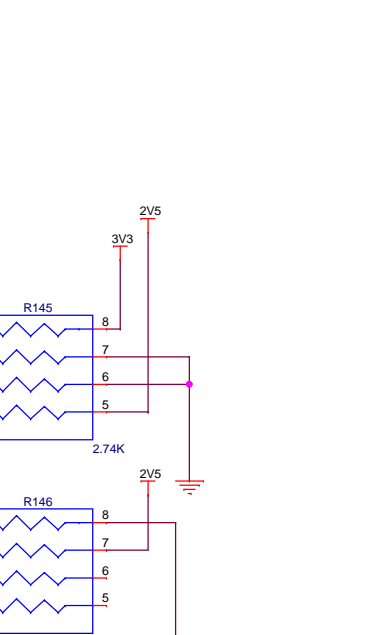
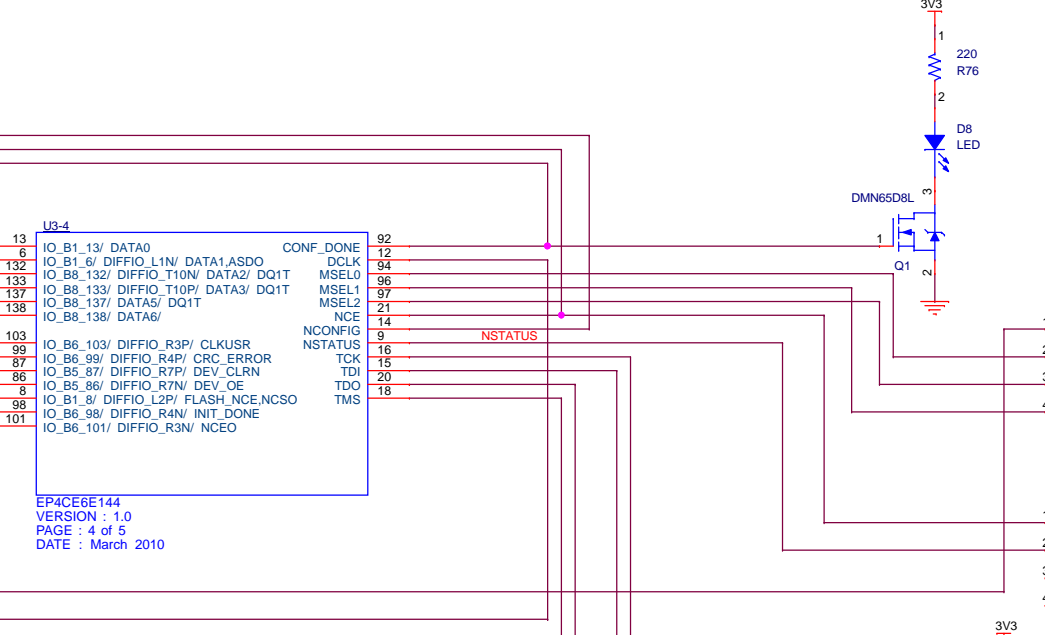
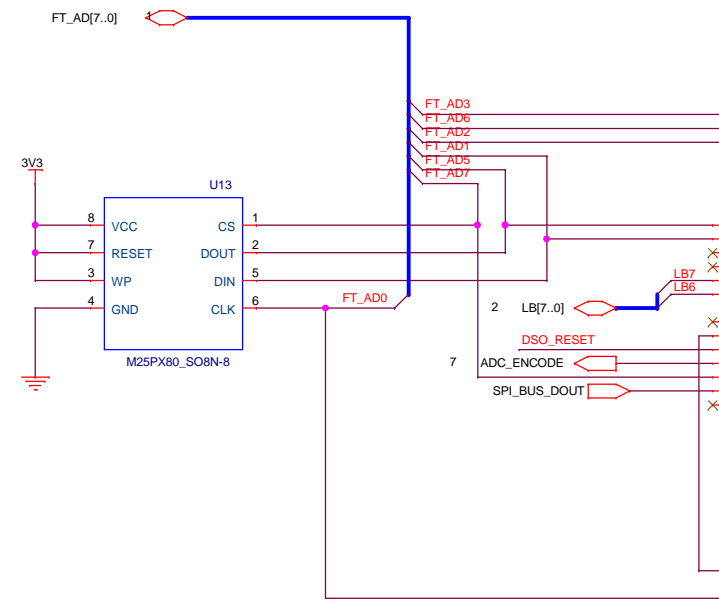
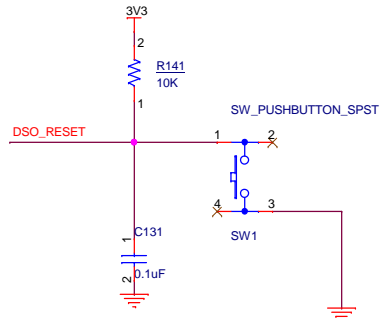
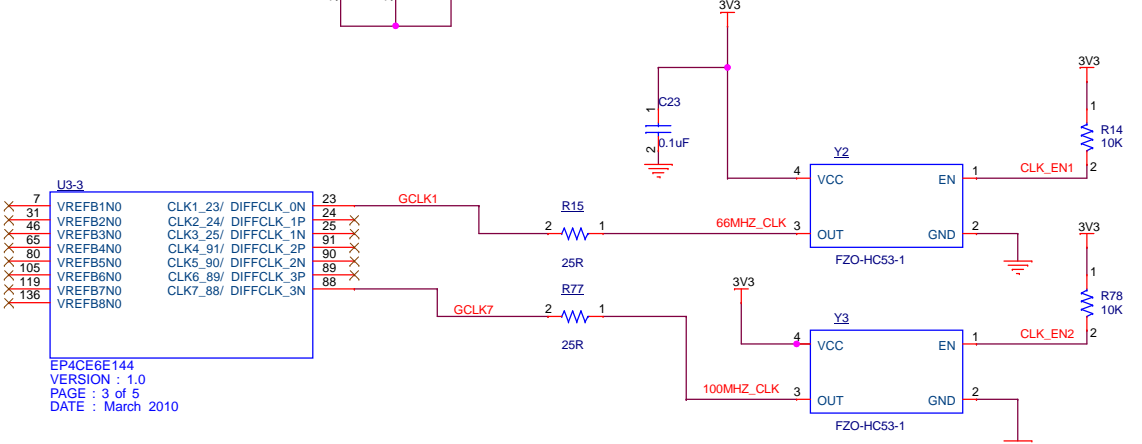
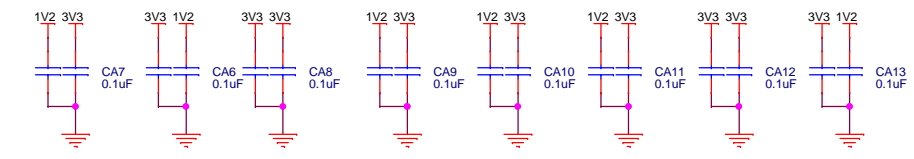
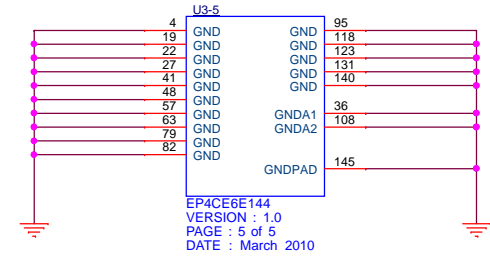
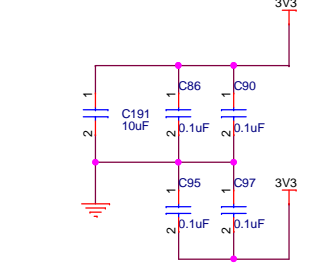
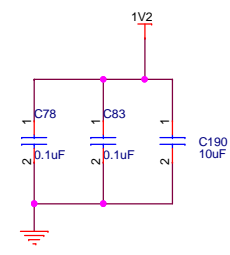
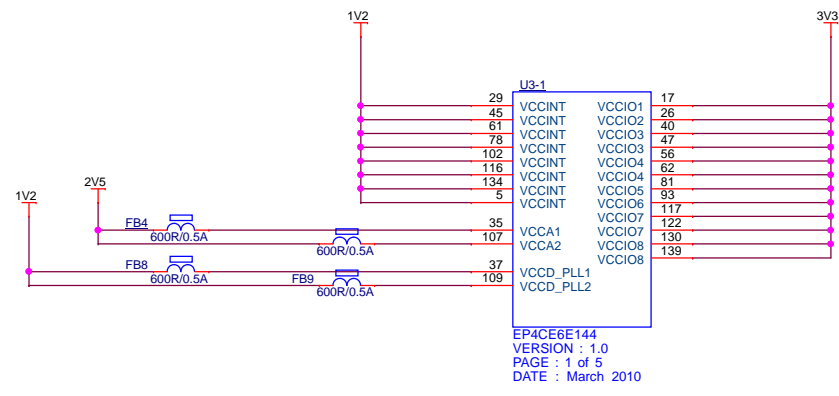


Title			
EPT DIGITAL STORAGE OSCILLOSCOPE 80MHZ			
Size	Document	Number	Rev
C	EPT-4CE6-DO-U2		4
Date:	Friday, January 19, 2018	Sheet	1 of 6

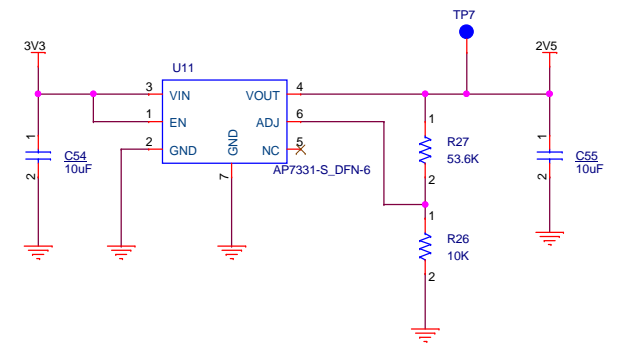
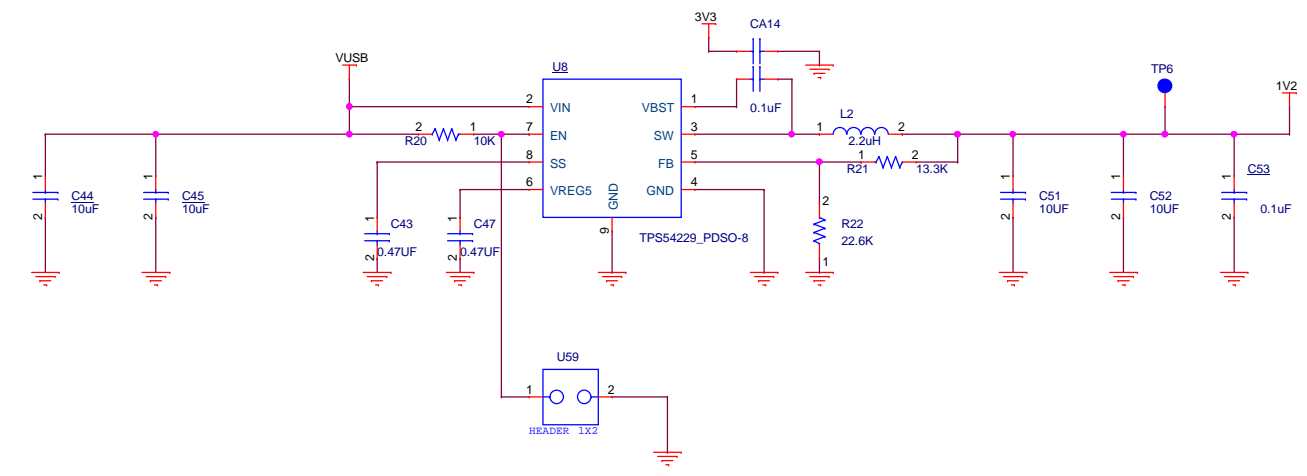
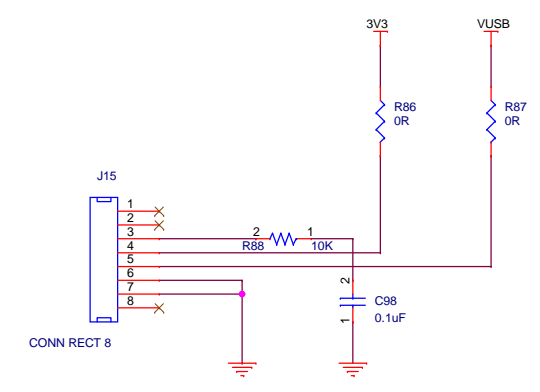
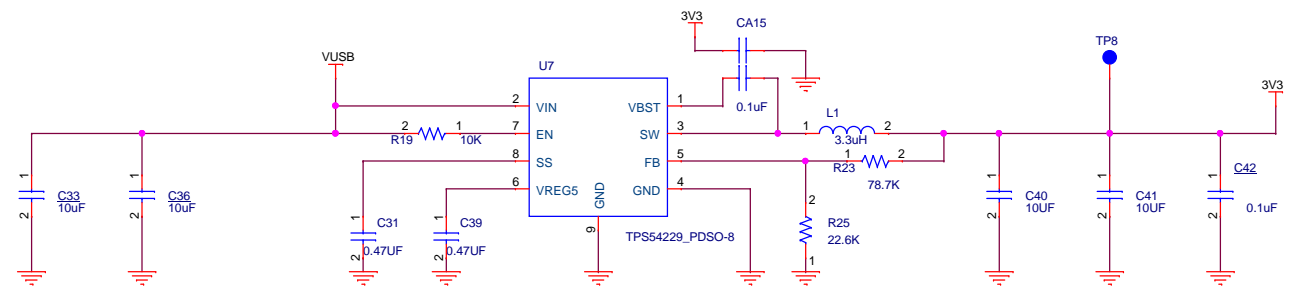


U3-2  
 EP4KCE6E144  
 VERSION : 1.0  
 PAGE : 2 of 5  
 DATE : March 2010

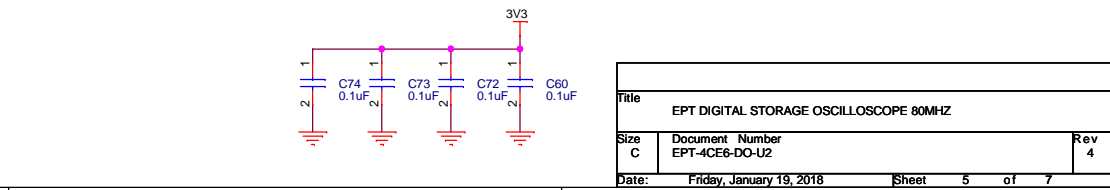
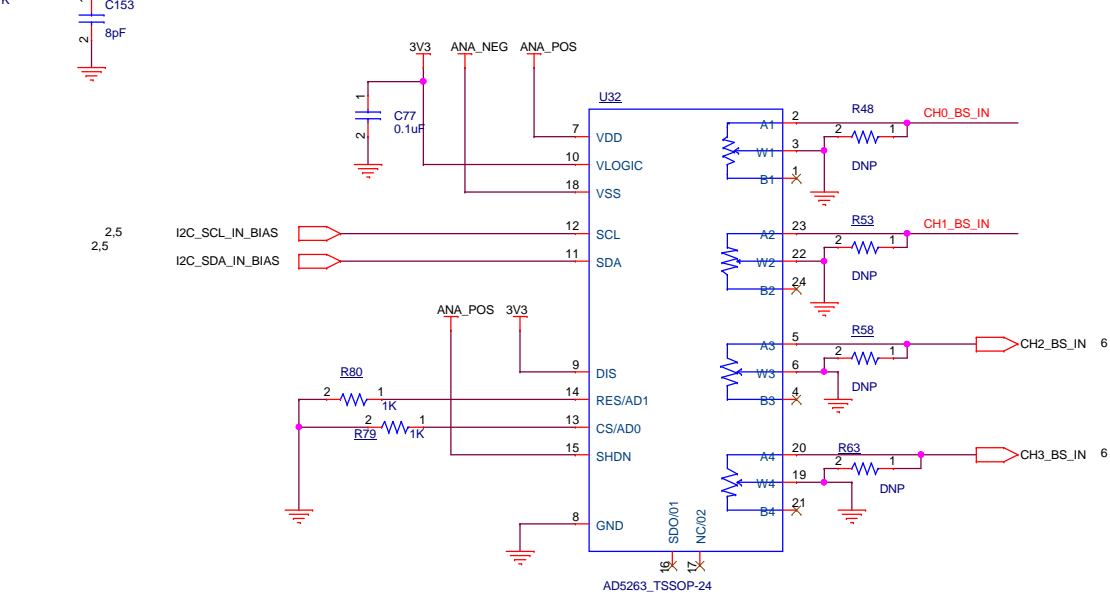
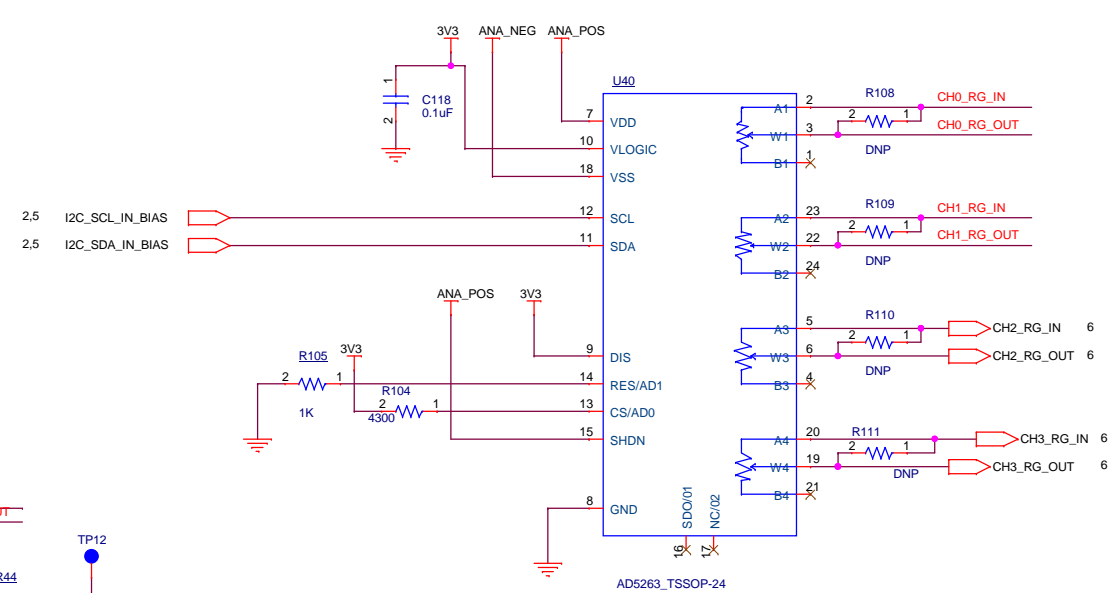
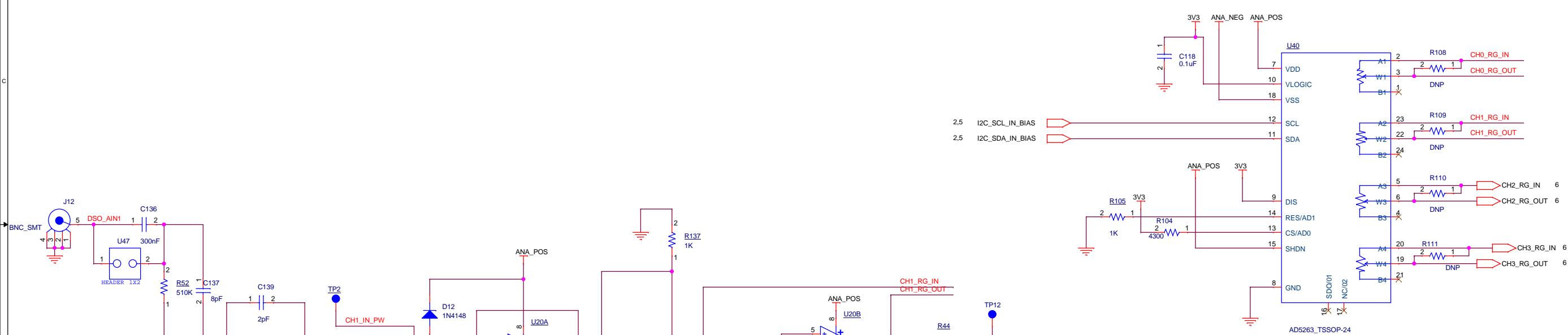
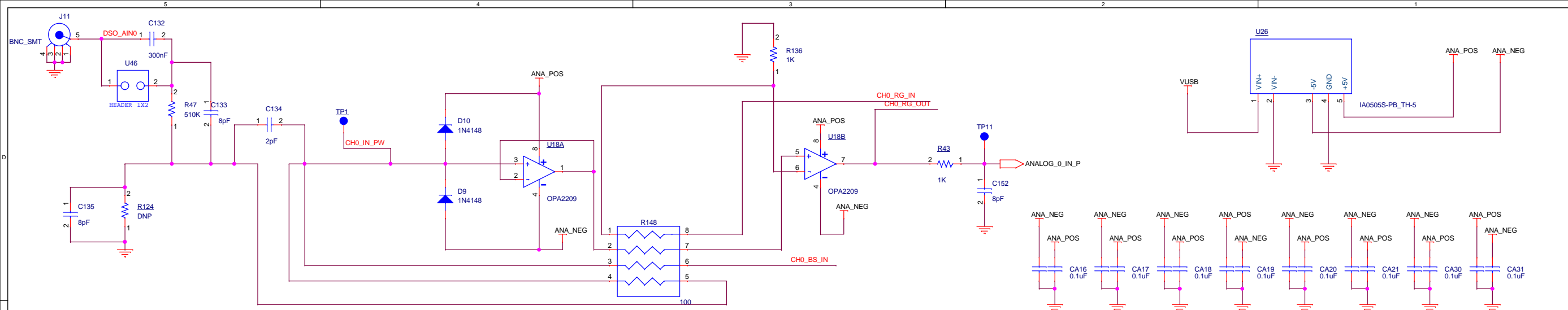
Title			
EPT DIGITAL STORAGE OSCILLOSCOPE 80MHZ			
Size	Document	Number	Rev
C	EPT-4CE6-DO-U2		4
Date:	Friday, January 19, 2018	Sheet	2 of 6



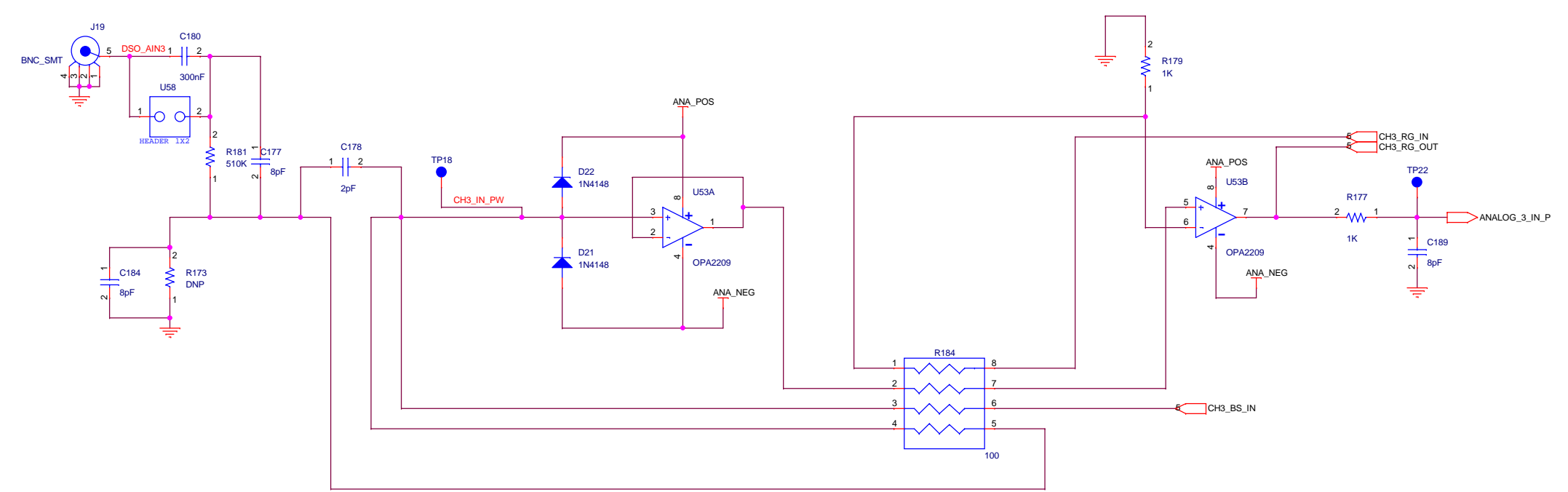
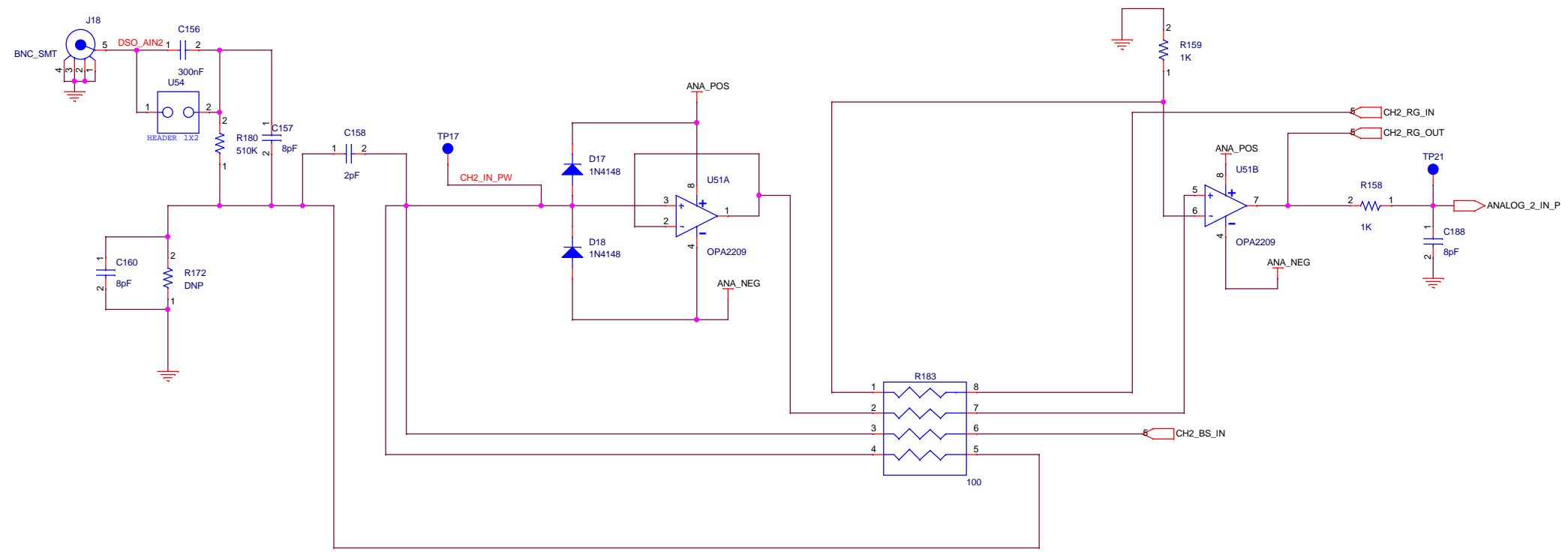
Title			
EPT DIGITAL STORAGE OSCILLOSCOPE 80MHZ			
Size	Document	Number	Rev
C	EPT-4CE6-DO-U2		4
Date:	Monday, January 22, 2018	Sheet	3 of 6



Title			
EPT DIGITAL STORAGE OSCILLOSCOPE 80MHZ			
Size	Document	Number	Rev
C	EPT-4CE6-DO-U2		4
Date:	Friday, January 19, 2018	Sheet	4 of 6



Title		
EPT DIGITAL STORAGE OSCILLOSCOPE 80MHZ		
Size	Document Number	Rev
C	EPT-4CE6-DO-U2	4
Date:	Friday, January 19, 2018	Sheet 5 of 7



Title		
EPT DIGITAL STORAGE OSCILLOSCOPE 80MHZ		
Size	Document Number	Rev
C	EPT-4CE8-DO-U2	4
Date:	Friday, January 19, 2018	Sheet 6 of 7

